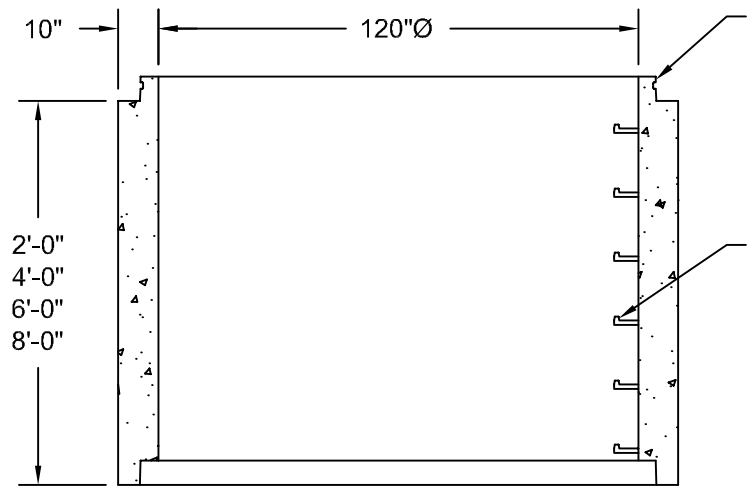


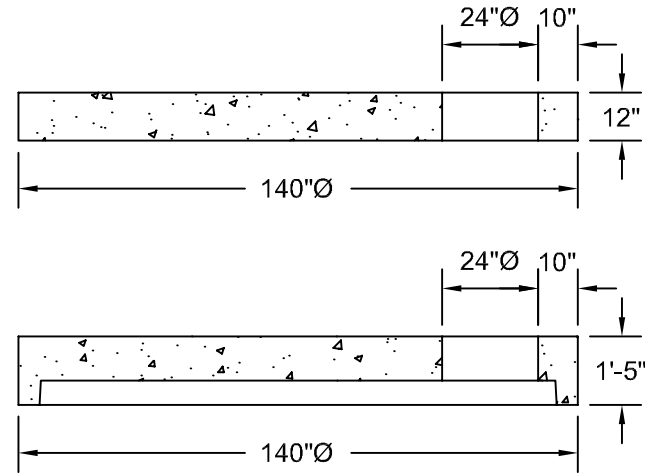
Standard Riser Sections



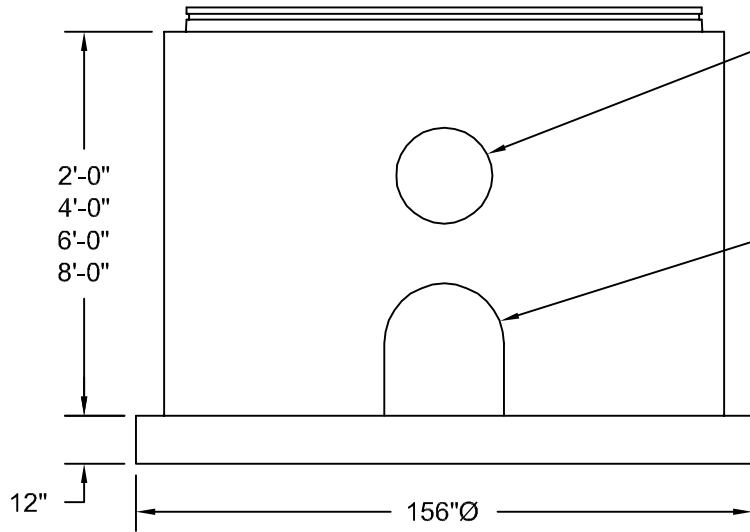
Riser Sections Available With ASTM C-443 O-Ring Joints

Steel Reinforced Polypropylene Manhole Steps @ 16" C-C

Standard 120" Reducers

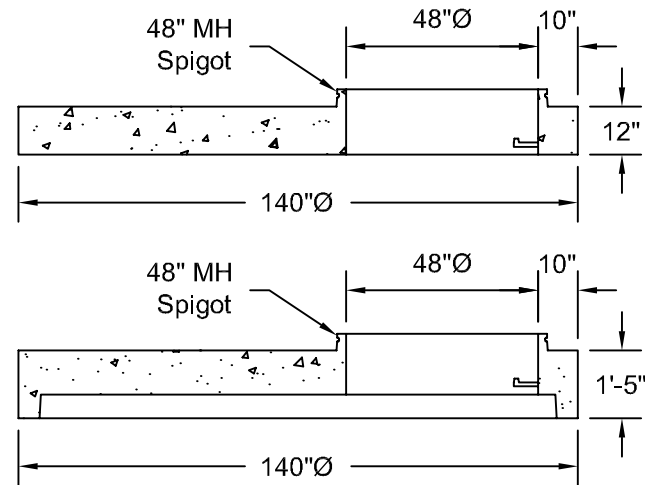


Standard Bottom Sections



Openings As Required Plain Openings Kor-N-Seal Press Wedge Or A-Lok

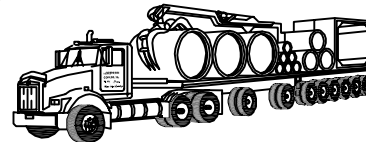
Standard Openings As Required



Note:

All Manhole Pipe And Reducers Are Manufactured To ASTM C-478 Specifications.

120" To 24" Reducers Are Available w/ 5/8" Threaded Inserts For Bolting Down E.J.I.W. #1040 WT Frame & Cover.



Northern Concrete Pipe, Inc.

401 Kelton Street Bay City, MI 48706 1 800 222 9918
5281 Lansing Road Charlotte, MI 48813 1 800 874 9701

120"Ø Standard Precast Concrete Manhole Sections

Date 05 Nov 98	Revised	Drawn By BmG	Scale NTS	2.6
-------------------	---------	-----------------	--------------	-----