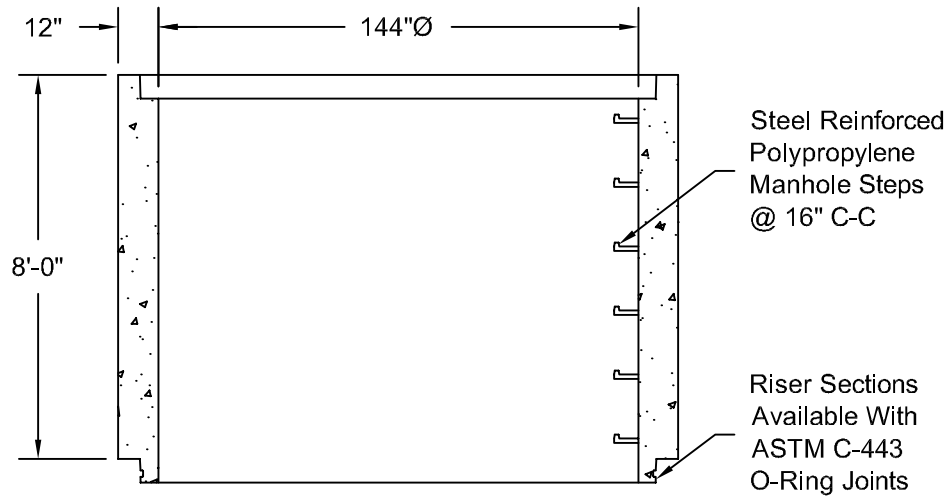
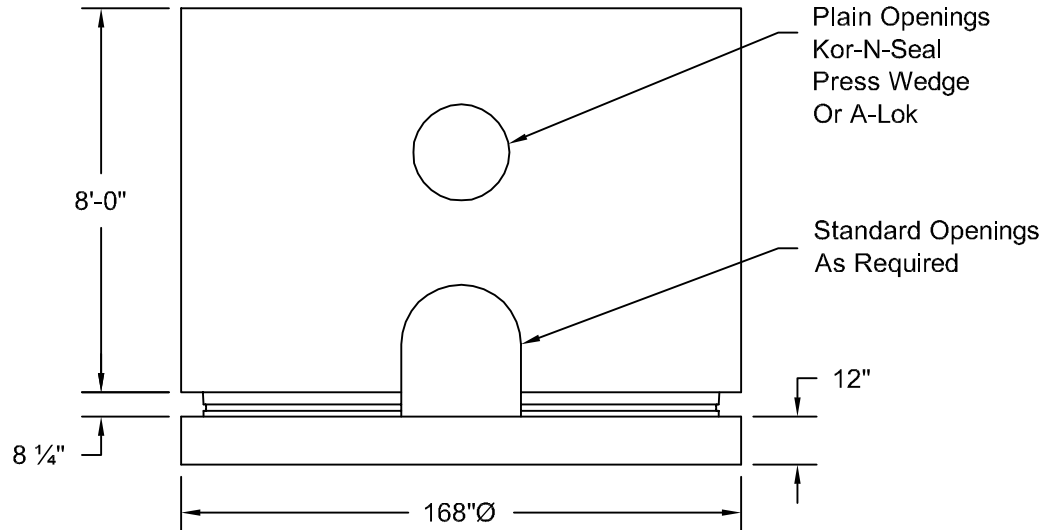


Standard Riser Section



Standard Bottom Section

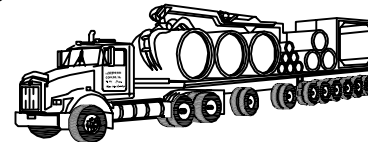
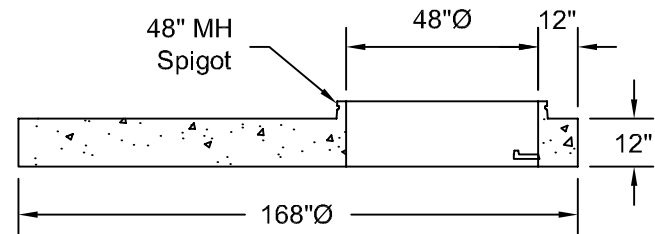
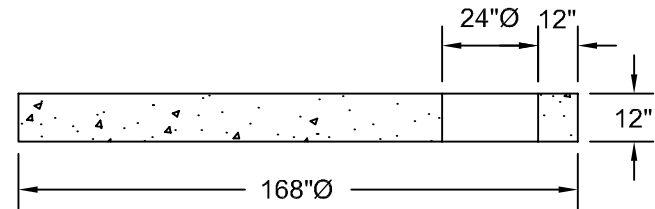


Note:

All Manhole Pipe and Reducers Are Manufactured To ASTM C-478 Specifications.

144" To 24" Reducer Is Available w/ 5/8" Threaded Inserts For Bolting Down E.J.I.W. #1040 WT Manhole Frame & Cover.

Standard 144" Reducers



Northern Concrete Pipe, Inc.

401 Kelton Street 5281 Lansing Road
Bay City, MI 48706 Charlotte, MI 48813
1 800 222 9918 1 800 874 9701

144"Ø Standard Precast Concrete Manhole Sections

Date	Revised	Drawn By	Scale	
06 Nov 98		BmG	NTS	2.8