

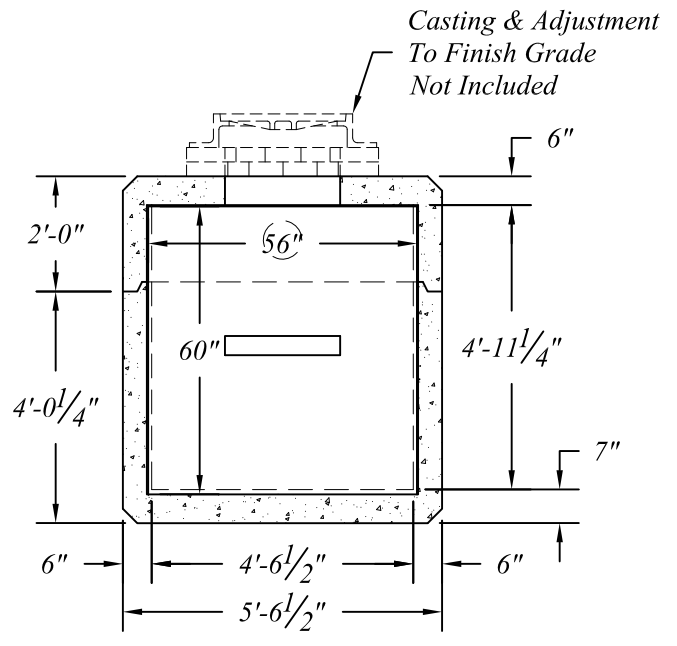
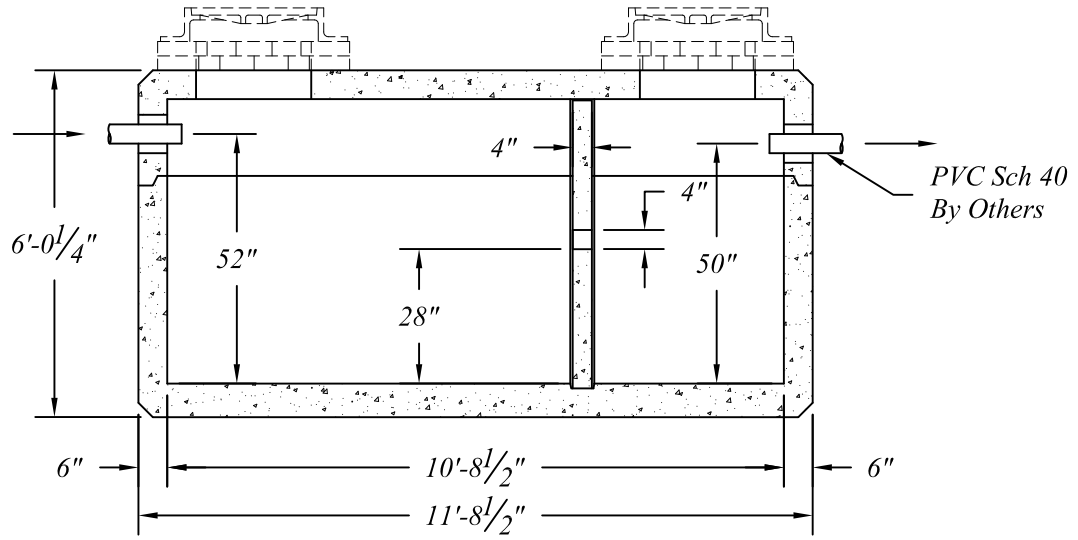
Septic Tank Sections To Be Manufactured per AASHTO 17th Ed. and ASTM Specifications w/HS-25 Loading and 0.0' to 3.0' of Earth Cover.

Concrete: 5000psi @ 28 Days

Reinforcement per ASTM A-615 & A-496..

Cover To Be Sealed w/1/2" EZ-Stik or Equal.

Pipe & Fittings For Inlets & Outlets Are Not Included.



- Base - 15,000 #
- Weir - 1,150 #
- Cover - 7,900 #
- Total - 24,050 #



401 Kelton Street
 Bay City, MI 48706
 1 800 222 9918

5281 Lansing Road
 Charlotte, MI 48813
 1 800 874 9701

Proposed - 1500 Gal. Two Compartment Septic Tank

Date		Revised		Rev. No.		Drawn By		Scale	
20 May 08						BmG		1 : 40	