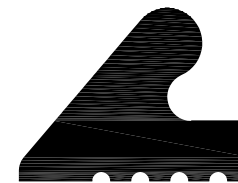
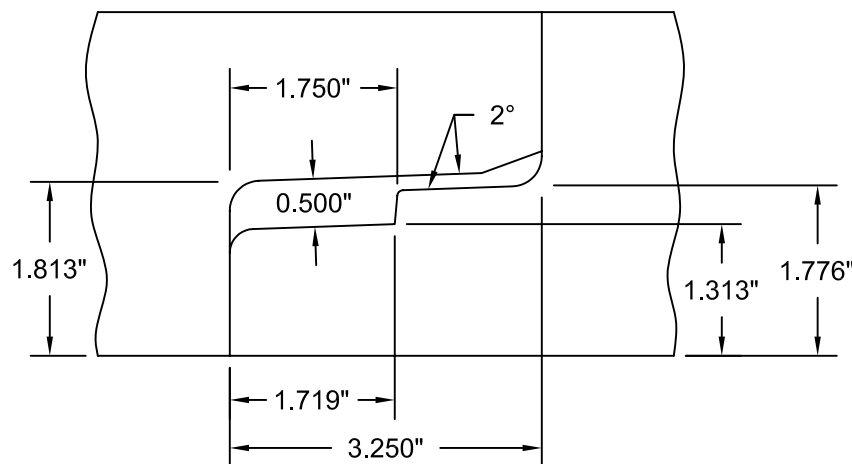


Equivalent Diameter	18"	24"	30"	36"	42"	48"
Rise x Span	14" x 23"	19" x 30"	24" x 38"	29" x 45"	34" x 53"	38" x 60"
Wall Thickness	3 5/8" **	3 5/8" **	3 3/4"	4 1/2"	5"	5 1/2"
Weight / UoM	269 Lbs/ft	345 Lbs/ft	436 Lbs/ft	629 Lbs/ft	807 Lbs/ft	1010 Lbs/ft



Gasket Material  
Manufactured To  
ASTM C-443 &  
ASTM C-361  
Specifications

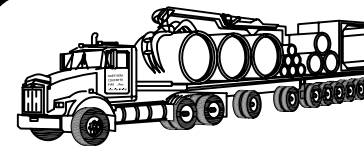
\*\* Exceeds ASTM Requirements To Allow For Rubber Gaskets.  
ASTM C-507 Wire Or ASTM C-655 D-Load Reinforcing Design Available



Note:

Elliptical Pipe Is Manufactured To ASTM C-507, Reinforcing Class As Required.

Elliptical Pipe Is Independently Air & Hydrostatic Tested.



*Northern Concrete Pipe, Inc.*

401 Kelton Street      5281 Lansing Road  
Bay City, MI 48706      Charlotte, MI 48813  
1 800 222 9918      1 800 874 9701

18" To 36" Precast Gasketed Elliptical Pipe Detail

Date 09 Jan 04	Revised 24 May 06	Drawn By BmG	Scale NTS	1.4a
-------------------	----------------------	-----------------	--------------	------