

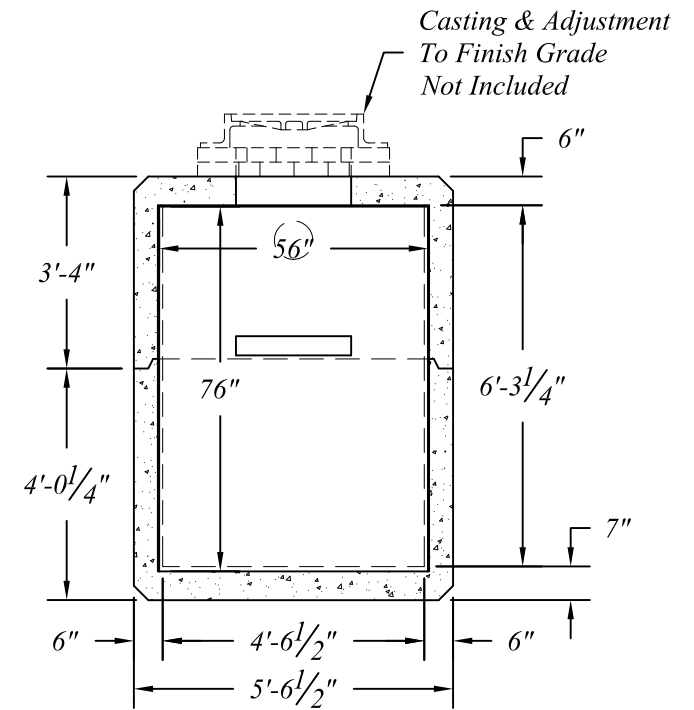
Septic Tank Sections To Be Manufactured per AASHTO 17th Ed. and ASTM Specifications w/HS-25 Loading and 0.0' to 3.0' of Earth Cover.

Concrete: 5000psi @ 28 Days

Reinforcement per ASTM A-615 & A-496..

Cover To Be Sealed w/1/2" EZ-Stik or Equal.

Pipe & Fittings For Inlets & Outlets Are Not Included.



- Base - 15,000 #
- Weir - 1,450 #
- Cover - 11,100 #
- Total - 27,550 #

**NORTHERN CONCRETE PIPE**



401 Kelton Street  
Bay City, MI 48706  
1 800 222 9918

5281 Lansing Road  
Charlotte, MI 48813  
1 800 874 9701

**Proposed - 2000 Gal. Two Compartment Septic Tank**

Date 20 May 08	Revised	Rev. No.	Drawn By BmG	Scale 1 : 40
-------------------	---------	----------	-----------------	-----------------