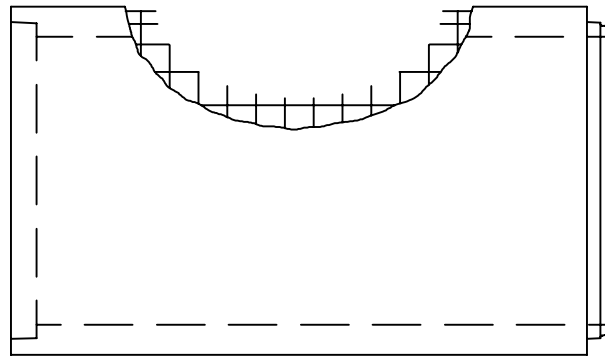
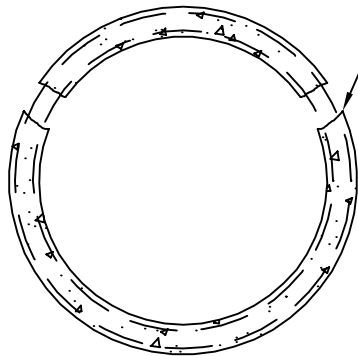
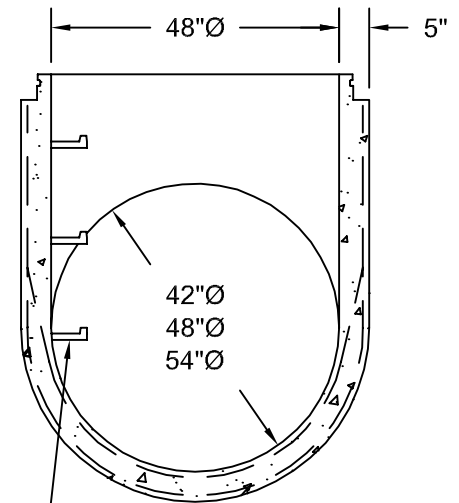


Pipe And Riser Cut To Shape When Cast



Joints Per Job Specifications



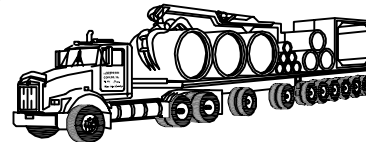
Steel Reinforced Polypropylene Manhole Steps @ 16" C-C

Note:

48"Ø Manhole Riser Is Manufactured To ASTM C-478 Specifications.

Manhole Pipe Is Manufactured To ASTM C-76 Specifications, Reinforcing Class As Required.

Pipe & Riser Section To Be Cut To Shape When Cast. Riser To Be Set On Mainline Section, Exposed Reinforcing Fabric Of Each Piece To Be Lapped And Welded. Area Of Exposed Reinforcing Mesh To Be Filled And Finished With Speed-Crete Or Equal.



Northern Concrete Pipe, Inc.

401 Kelton Street 5281 Lansing Road
 Bay City, MI 48706 Charlotte, MI 48813
 1 800 222 9918 1 800 874 9701

42"Ø Thru 54"Ø Prefabricated Centered Manhole Tee

| | | | | |
|-------------------|---------|-----------------|--------------|-----|
| Date 23 Sep 98 | Revised | Drawn By BmG | Scale NTS | 5.2 |
|-------------------|---------|-----------------|--------------|-----|