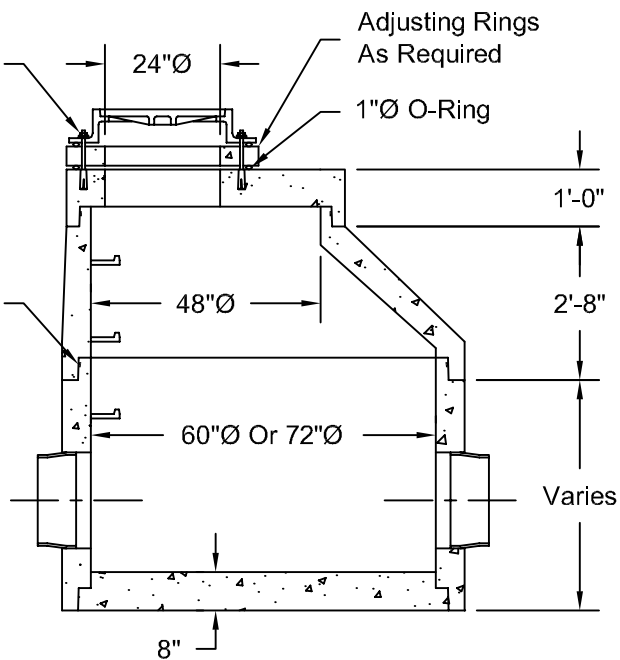


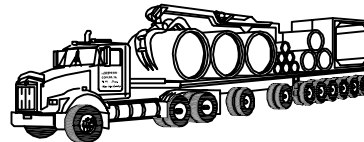
5/8" Cadmium Coated  
Rod With 5/8" x 1/8"  
Zinc Coated Metal  
Washer, 5/8" x 1/8"  
Neoprene Sealing  
Washer & 5/8" Nut  
Typ - Four Places



Note:

Gatewell Sections Are Manufactured To ASTM C-478 Specifications.

Size And Height Of Gatewell Per Project Specifications.



*Northern Concrete Pipe, Inc.*

401 Kelton Street  
Bay City, MI 48706  
1 800 222 9918

5281 Lansing Road  
Charlotte, MI 48813  
1 800 874 9701

Typical Precast Concrete Gatewell (Oakland Co.)

Date 23 Sep 98	Revised	Drawn By BmG	Scale NTS	4.3
-------------------	---------	-----------------	--------------	-----