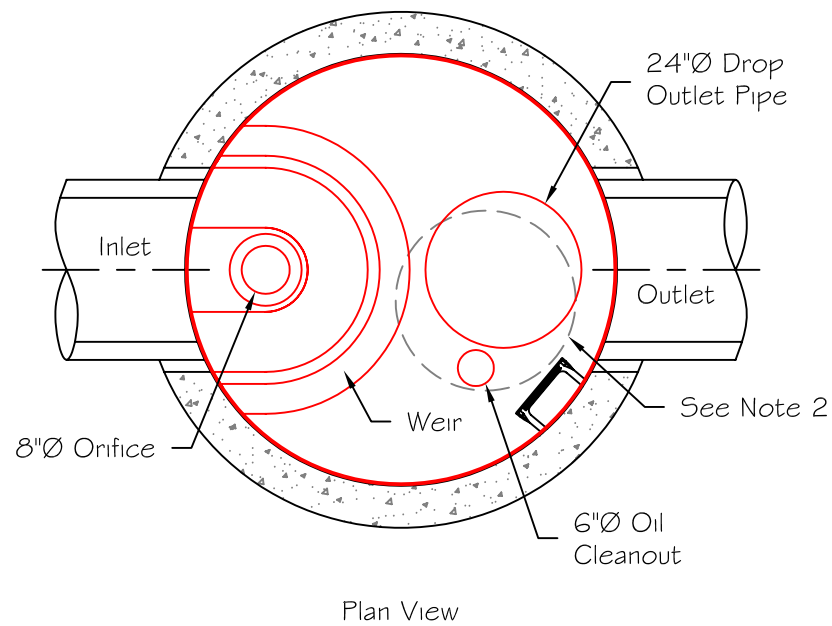


Section Thru Chamber



Plan View

Notes:

1. Inlet & Outlet Connections To Be Grouted After Installation.
2. The Cover Should Be Positioned Over The Inlet Drop Pipe And The Vent Pipe.
3. The Stormceptor System Is Protected By One Or More Of The Following U.S. Patents: #4985148, #5498332, #5725760, #5753115, #5849181, #6068765, #6371690.
4. Contact Northern Concrete Pipe, Inc. For Further Details Not Listed On This Drawing.



Northern Concrete Pipe, Inc.

401 Kelton Street 5281 Lansing Road  
 Bay City, MI 48706 Charlotte, MI 48813  
 1 800 222 9918 1 800 874 9701

Typical Precast Concrete Stormceptor® STC 2400

Date 25 Apr 05	Revised	Drawn By BmG	Scale NTS	9.5
-------------------	---------	-----------------	--------------	-----