

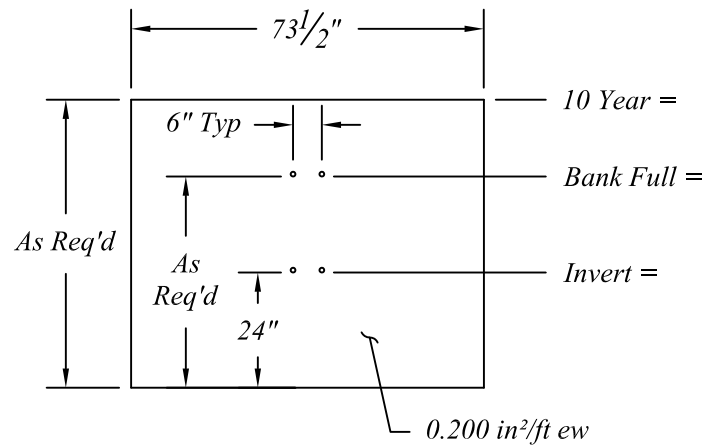
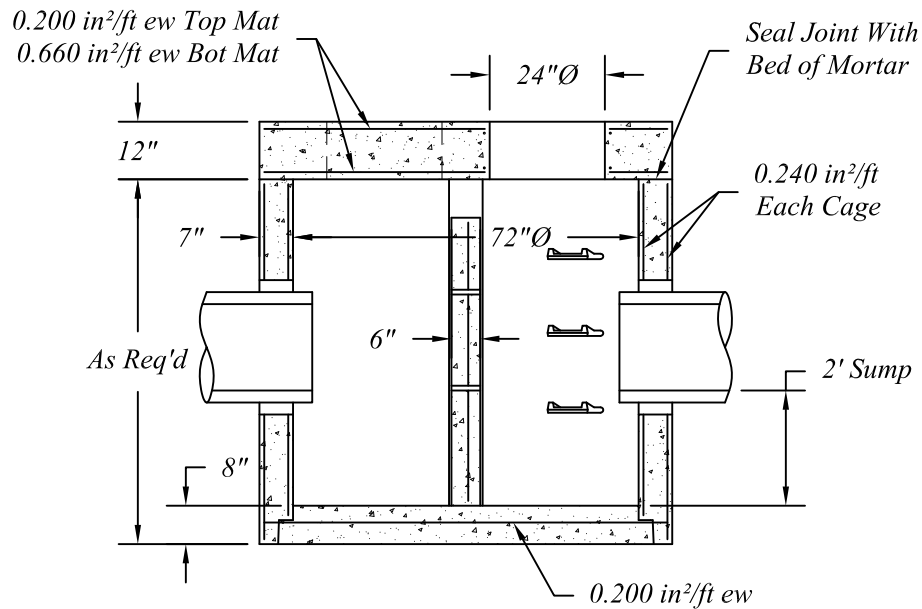
Manhole Sections To Be Manufactured To ASTM C-478 Specifications And In Accordance With Northern Concrete Pipe, Inc. (800 222 9918).


Reinforcing Shown For Schematic Only. All Steel Areas Are Minimums.

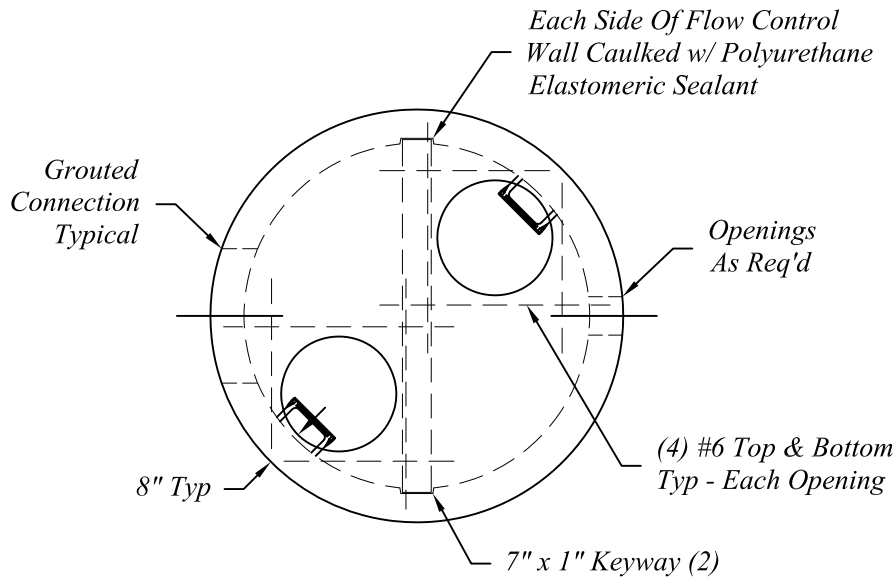
Contractor To Seal Between Precast Wall & Base w/Butyl Rope.

Inlet & Outlet Pipes Size Varies.

Number, Size and Elevation of Holes In The Flow Restrictor Wall Shall Be In Accordance With The Governing Agency.



	401 Kelton Street Bay City, MI 48706 1 800 222 9918	72"Ø Precast Outlet Control Structure w/Overflow				
	5281 Lansing Road Charlotte, MI 48813 1 800 874 9701	Date 16 May 08	Revised	Rev. No.	Drawn By BmG	Scale 1 : 40



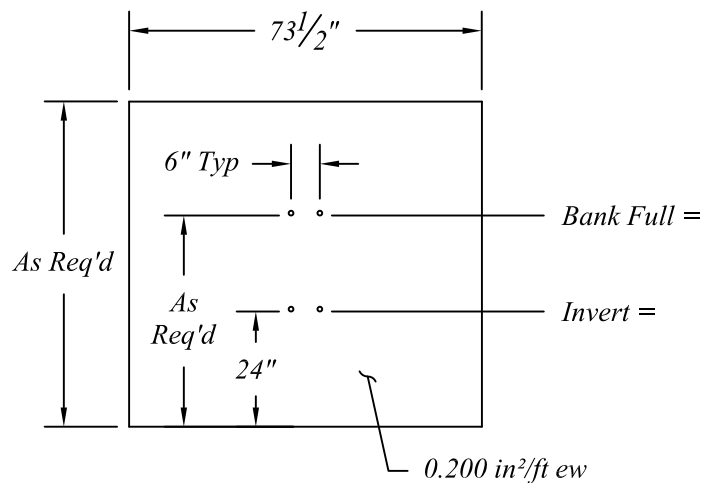
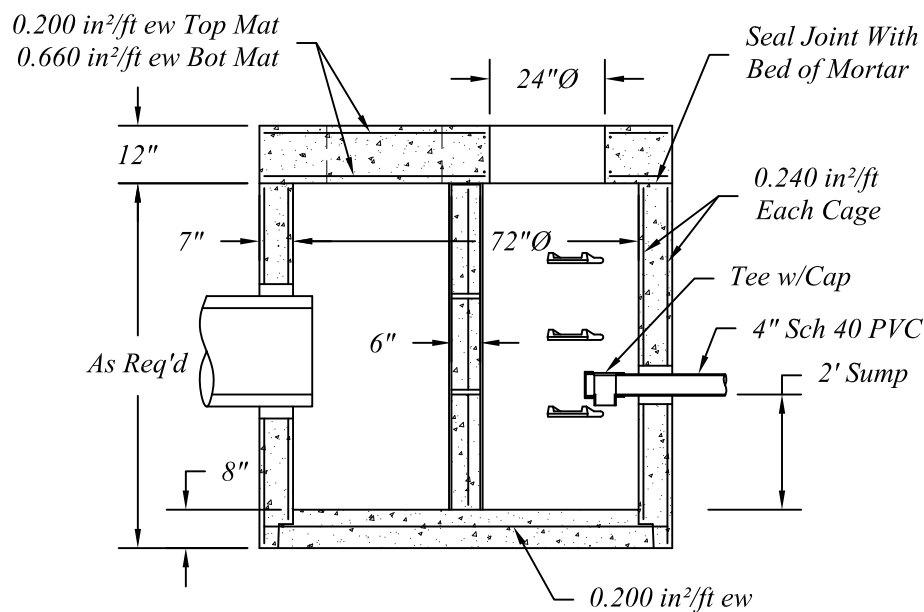
Manhole Sections To Be Manufactured To ASTM C-478 Specifications And In Accordance With Northern Concrete Pipe, Inc. (800 222 9918).


Reinforcing Shown For Schematic Only. All Steel Areas Are Minimums.

Contractor To Seal Between Precast Wall & Base w/Butyl Rope.

Inlet & Outlet Pipes Size Varies.

Number, Size and Elevation of Holes In The Flow Restrictor Wall Shall Be In Accordance With The Governing Agency.



	401 Kelton Street Bay City, MI 48706 1 800 222 9918	72"Ø Precast Outlet Control Structure w/o Overflow				
	5281 Lansing Road Charlotte, MI 48813 1 800 874 9701	Date 16 May 08	Revised	Rev. No.	Drawn By BmG	Scale 1 : 40