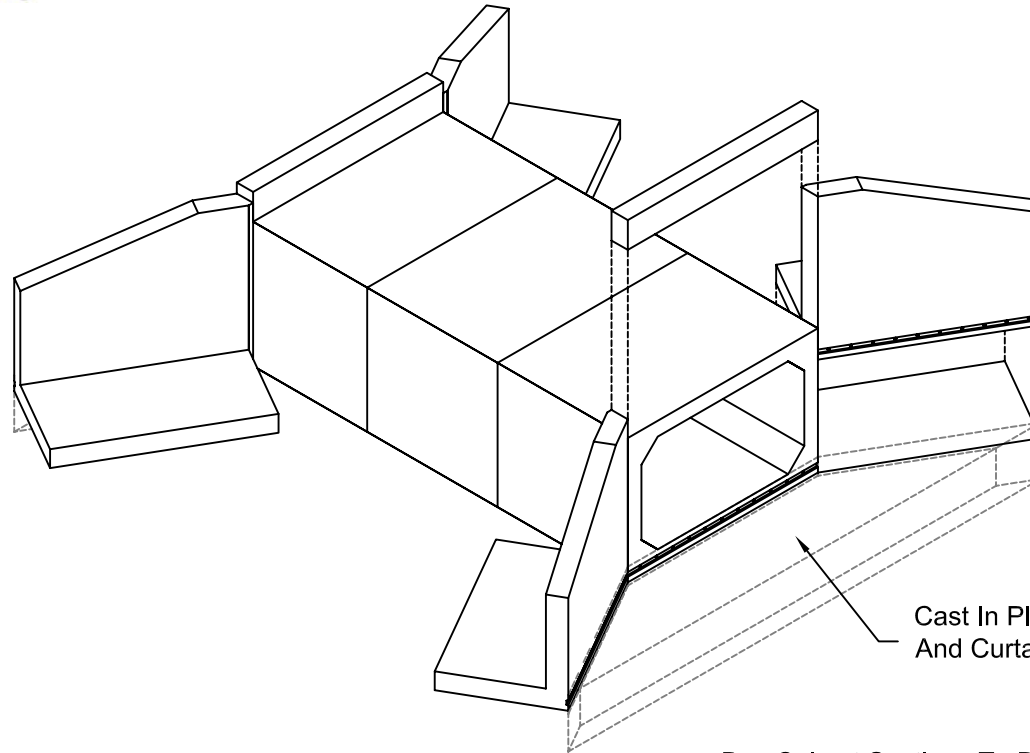


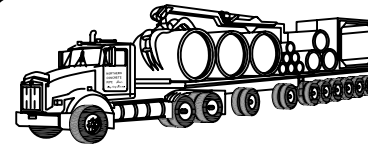
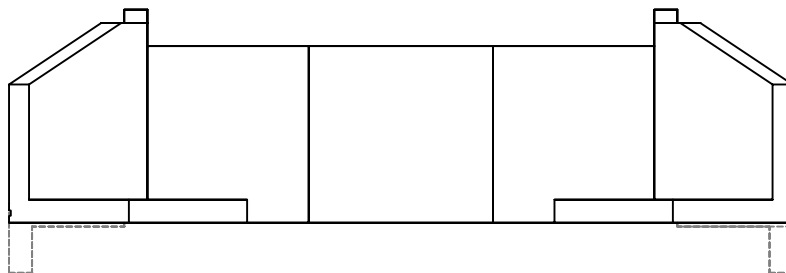
# Northern Concrete Pipe, Inc.



Cast In Place Apron  
And Curtain Wall

Box Culvert Sections To Be Manufactured To 'Boxcar' and Applicable ASTM C-1433 Specifications.

Precast Wingwalls / Headwalls Designed According To Specific Project Requirements.



*Northern Concrete Pipe, Inc.*

401 Kelton Street  
Bay City, MI 48706  
1 800 222 9918

5281 Lansing Road  
Charlotte, MI 48813  
1 800 874 9701

## Typical Precast Concrete Wingwall Detail

Date 26 Jun 03	Revised	Drawn By BmG	Scale NTS	6.6
-------------------	---------	-----------------	--------------	-----