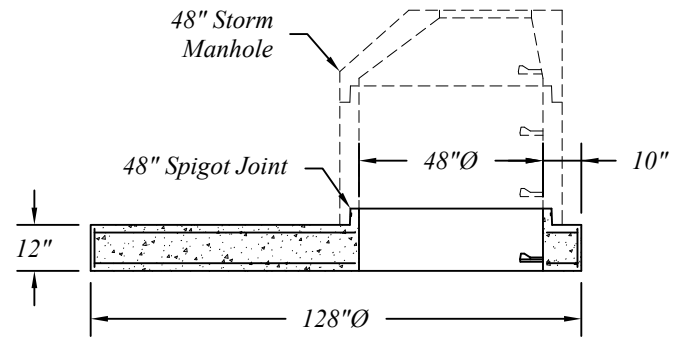
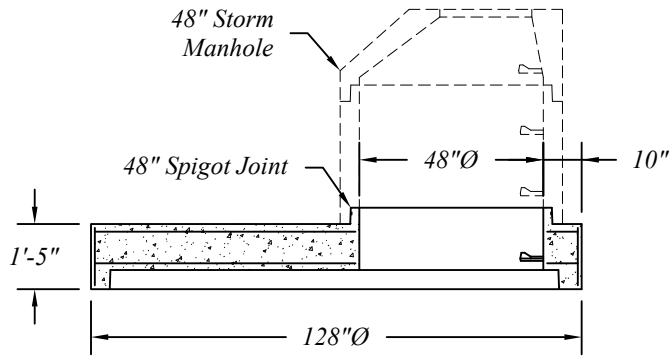
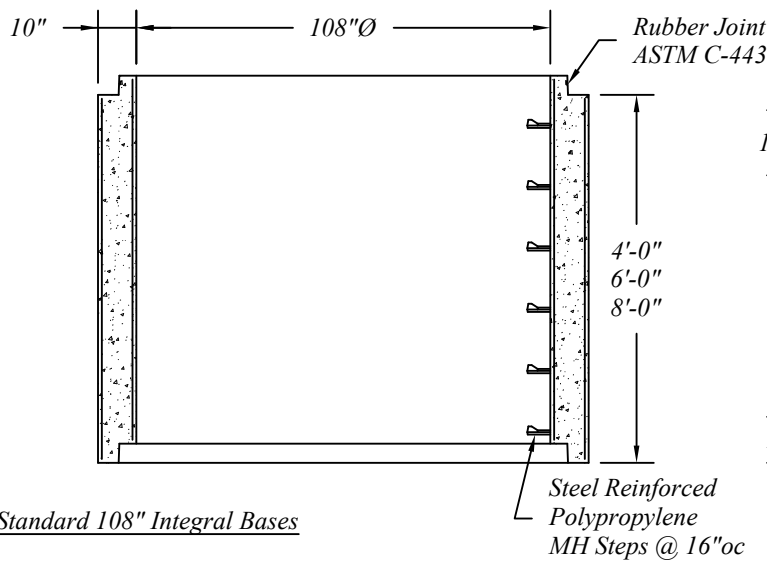


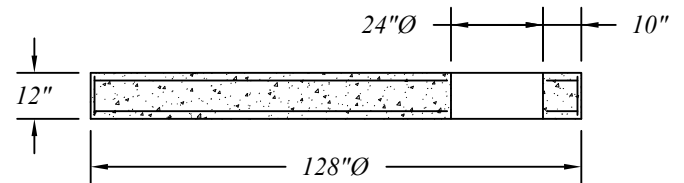
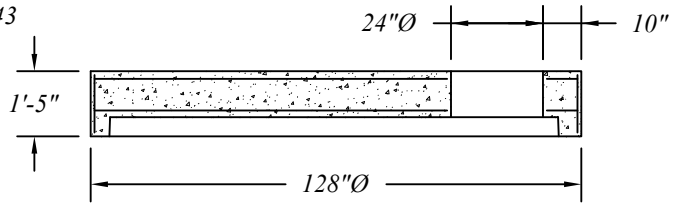
Standard 108" Storm Manhole Reducers



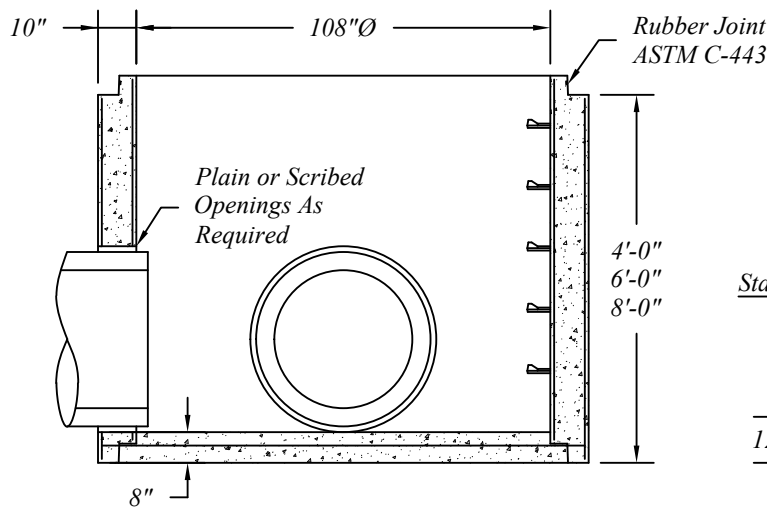
Standard 108" Storm Manhole Risers



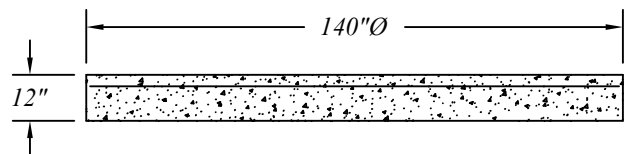
108" Storm Manhole Flat Covers
For Fill Less Than 3.5' Over Pipe



Standard 108" Integral Bases



Standard Separate Bases



108" Manhole Pipe, Reducers, Covers and Bases Are Manufactured To ASTM C-478 Specifications.

Reinforcing Shown For Schematic Only.

Standard 108"Ø Precast Concrete Storm Manhole Sections



401 Kelton St Bay City, MI 48706

Date 12 May 16

5281 Lansing Rd
Charlotte, MI 48813

2701 Chicago Dr SW
Wyoming, MI 49519

Drawn By
BmG

4950 White Lake Rd
Clarkston, MI 48346

3756 Centennial Rd
Sylvania, OH 43560

Scale
NTS

02.18