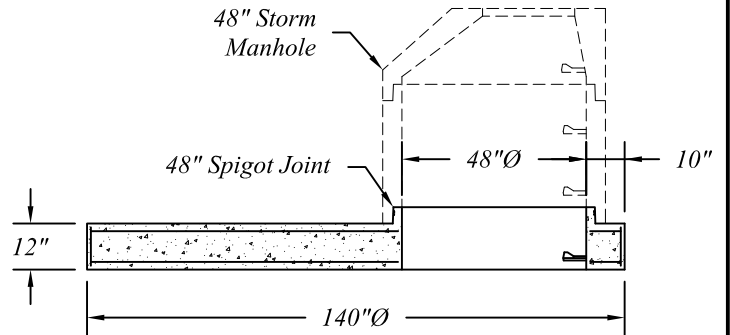
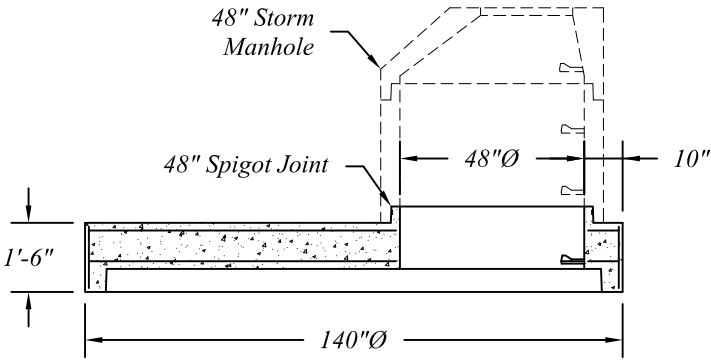
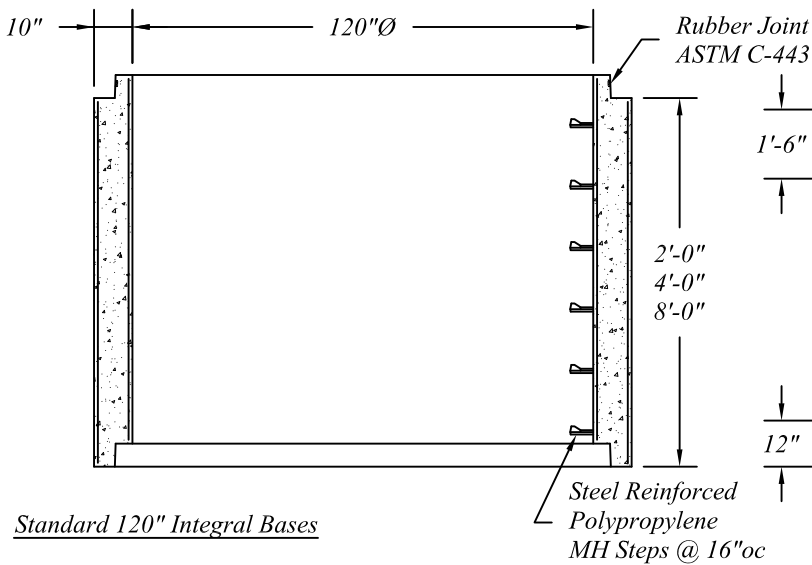


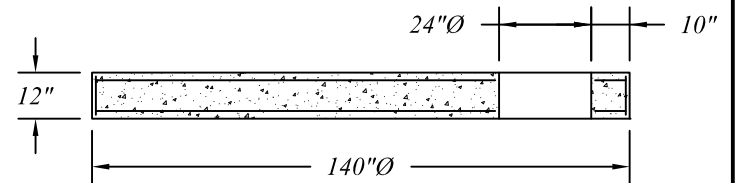
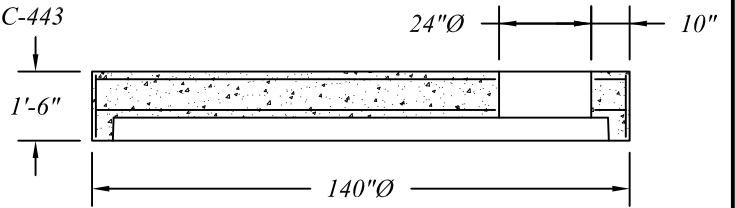
Standard 120" Storm Catch Basin Reducers



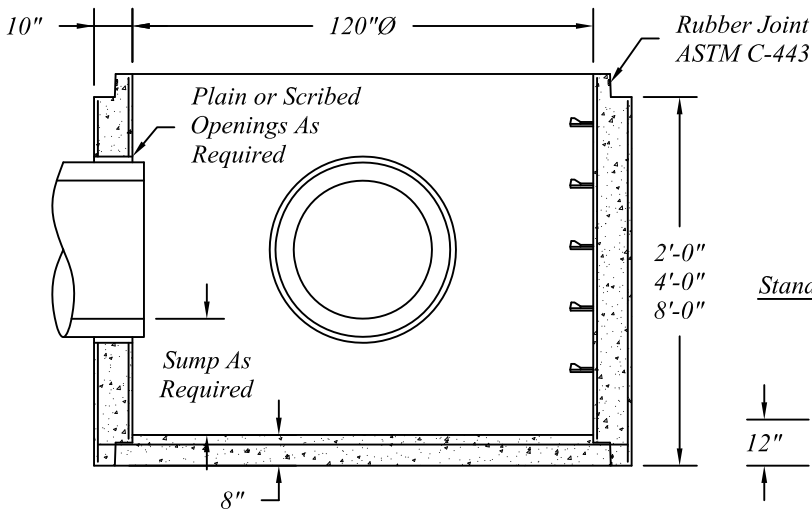
Standard 120" Storm Catch Basin Risers



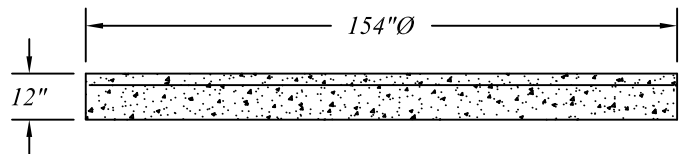
120" Storm Catch Basin Flat Covers
For Fill Less Than 3.5' Over Pipe



Standard 120" Integral Bases



Standard Separate Bases



120" Catch Basin Pipe, Reducers, Covers and Bases Are Manufactured To ASTM C-478 Specifications.

Reinforcing Shown For Schematic Only.

Standard 120"Ø Precast Concrete Storm Catch Basin Sections



401 Kelton St Bay City, MI 48706

Date 12 May 16

5281 Lansing Rd
Charlotte, MI 48813

2701 Chicago Dr SW
Wyoming, MI 49519

Drawn By
BmG

4950 White Lake Rd
Clarkston, MI 48346

3756 Centennial Rd
Sylvania, OH 43560

Scale
NTS

02.22