

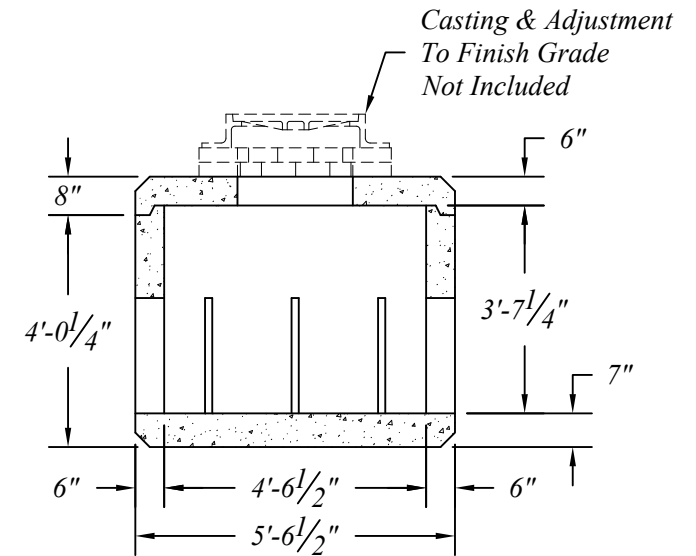
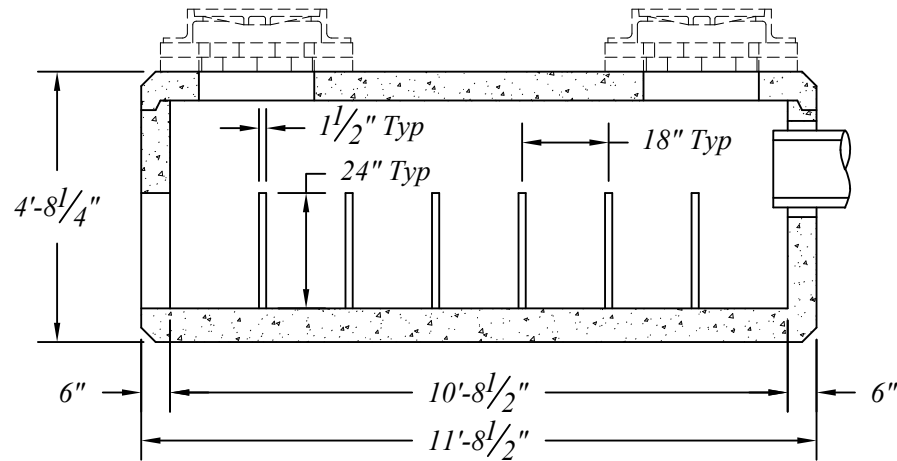
Dry Well Sections To Be Manufactured per AASHTO 17th Ed. and ASTM Specifications w/HS-25 Loading and 0.0' to 3.0' of Earth Cover.

Concrete: 5000psi @ 28 Days


Reinforcement per ASTM A-615 & A-496..

Cover To Be Sealed w/1/2" EZ-Stik or Equal.

Pipe & Fittings For Inlets & Outlets Are Not Included.



- Base - 15,000 #
- Cover - 4,700 #
- Total - 19,700 #

	401 Kelton St Bay City, MI 48706		Proposed - 1300 Gal. Traffic Concrete Dry Well				
	5281 Lansing Rd Charlotte, MI 48813	2701 Chicago Dr SW Wyoming, MI 49519					
	4950 White Lake Rd Clarkston, MI 48346	3756 Centennial Rd Sylvania, OH 43560	Date 16 May 16	Revised	Rev. No.	Drawn By BmG	Scale NTS