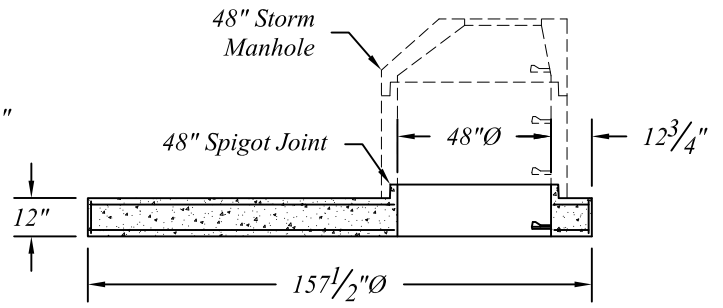
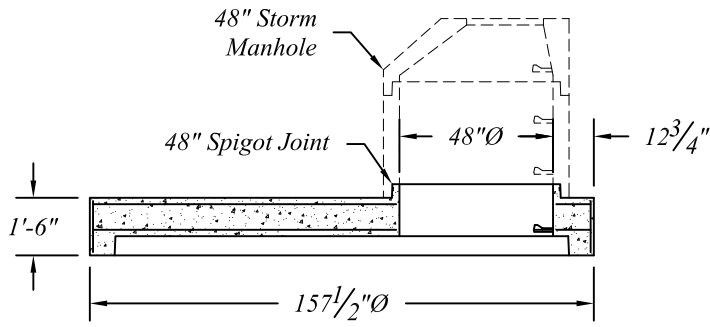
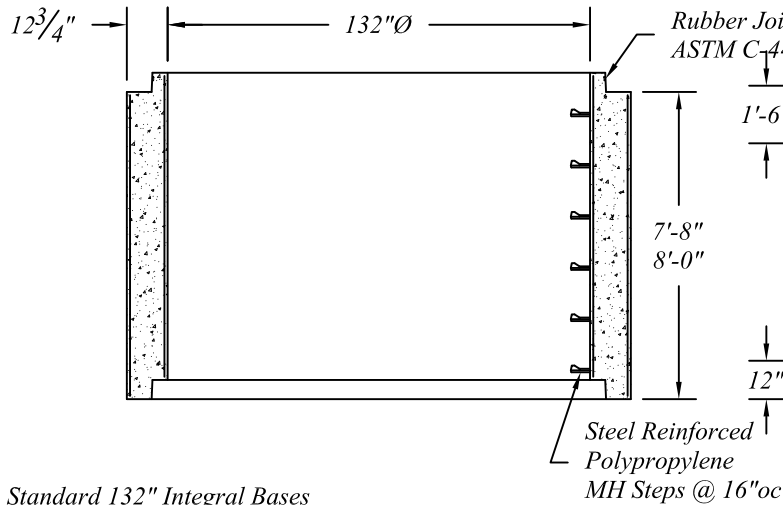


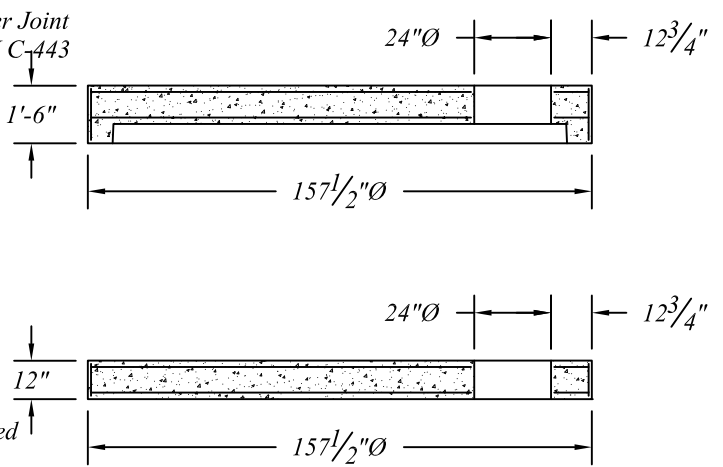
Standard 132" Sanitary Manhole Reducers



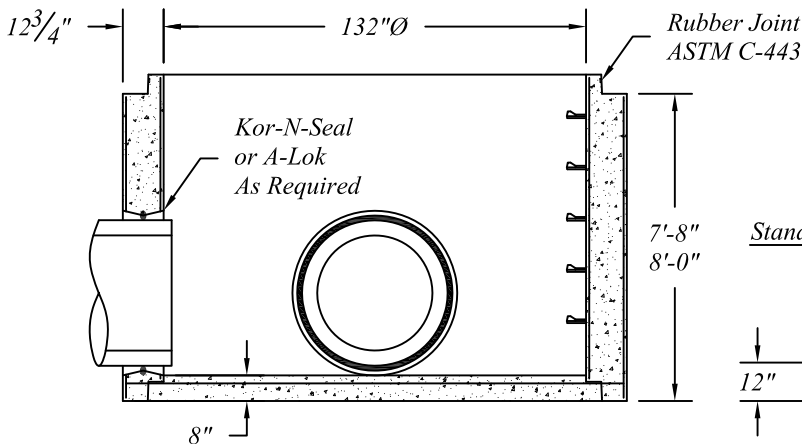
Standard 132" Sanitary Manhole Risers



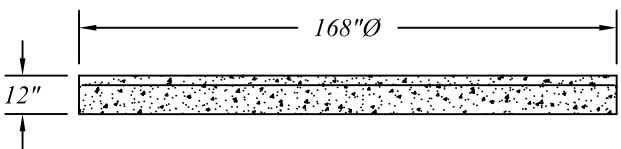
132" Sanitary Manhole Flat Covers
For Fill Less Than 2.5' Over Pipe



Standard 132" Integral Bases



Standard Separate Bases



132" Manhole Pipe, Reducers, Covers and Bases Are Manufactured To ASTM C-478 Specifications.

Reinforcing Shown For Schematic Only.

Standard 132"Ø Precast Concrete Sanitary Manhole Sections			
	401 Kelton St Bay City, MI 48706		Date 01 Mar 21
	5281 Lansing Rd Charlotte, MI 48813	2701 Chicago Dr SW Wyoming, MI 49519	Drawn By BmG
	4950 White Lake Rd Clarkston, MI 48346	3756 Centennial Rd Sylvania, OH 43560	Scale NTS
			02.26