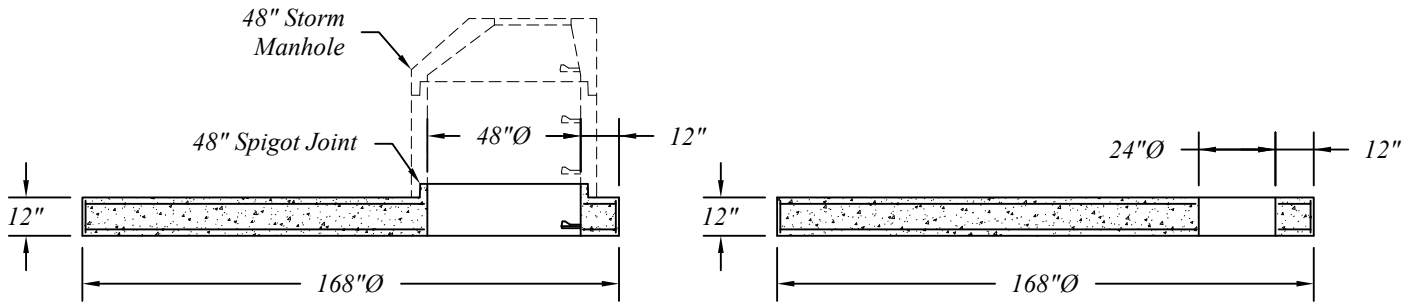
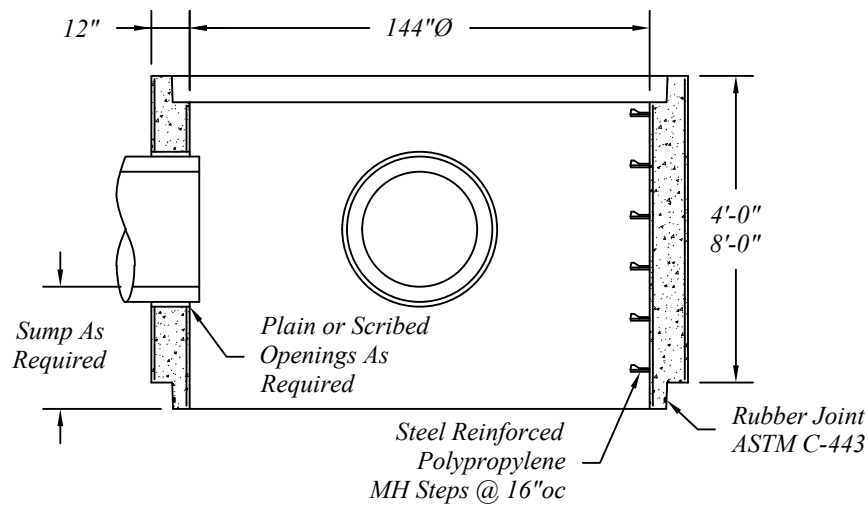


Standard 144" Storm Catch Basin Reducer

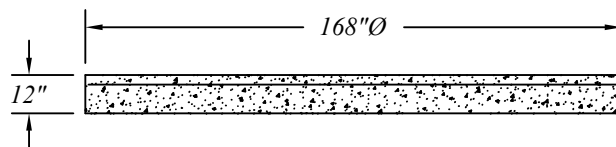
144" Storm Catch Basin Flat Cover  
For Fill Less Than 3.5' Over Pipe



Standard 144" Storm Catch Basin Risers



Standard Separate Base



144" Manhole Pipe, Reducers, Covers and Bases Are Manufactured To ASTM C-478 Specifications.

Reinforcing Shown For Schematic Only.

Standard 144"Ø Precast Concrete Storm Catch Basin Sections



401 Kelton St Bay City, MI 48706		Date 12 May 16
5281 Lansing Rd Charlotte, MI 48813	2701 Chicago Dr SW Wyoming, MI 49519	Drawn By BmG
4950 White Lake Rd Clarkston, MI 48346		Scale NTS
3756 Centennial Rd Sylvania, OH 43560		<b>02.28</b>