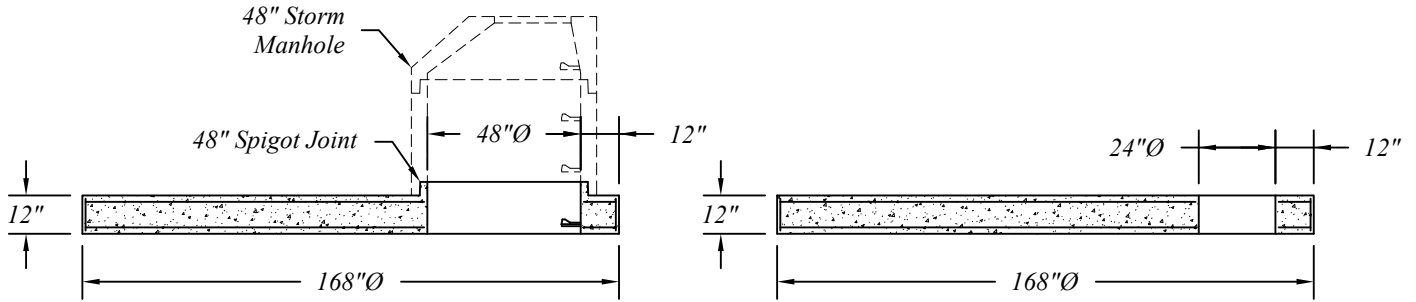
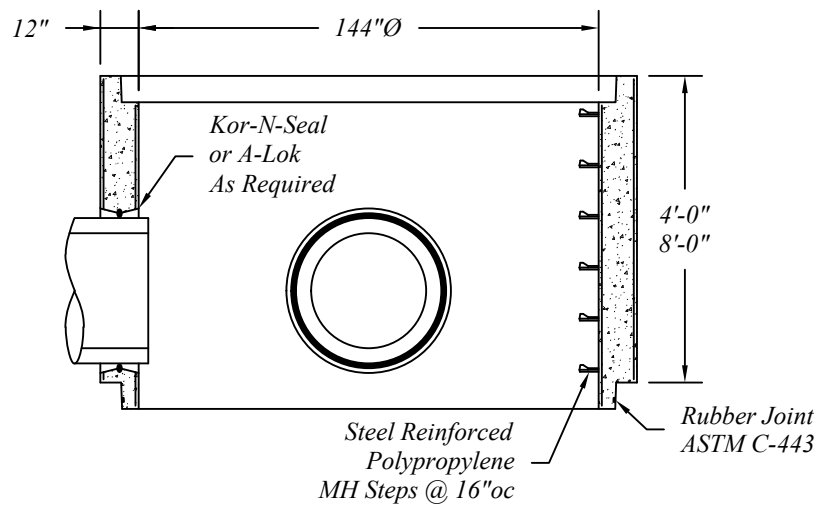


Standard 144" Sanitary Manhole Reducer

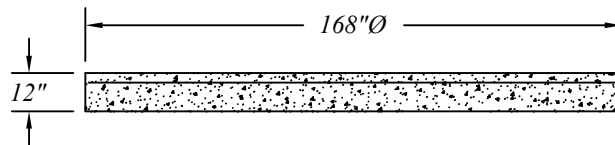
144" Sanitary Manhole Flat Cover  
For Fill Less Than 3.5' Over Pipe



Standard 144" Sanitary Manhole Risers



Standard Separate Base



144" Manhole Pipe, Reducers, Covers and Bases Are Manufactured To ASTM C-478 Specifications.

Reinforcing Shown For Schematic Only.

Standard 144"Ø Precast Concrete Sanitary Manhole Sections



401 Kelton St Bay City, MI 48706

Date 12 May 16

5281 Lansing Rd  
Charlotte, MI 48813

2701 Chicago Dr SW  
Wyoming, MI 49519

Drawn By  
BmG

4950 White Lake Rd  
Clarkston, MI 48346

3756 Centennial Rd  
Sylvania, OH 43560

Scale  
NTS

02.29