

Interceptor/Grease Trap Sections To Be Manufactured per AASHTO 17th Ed. and ASTM Specifications w/HS-25 Loading and 0.0' to 3.0' of Earth Cover.

Concrete: 5000psi @ 28 Days

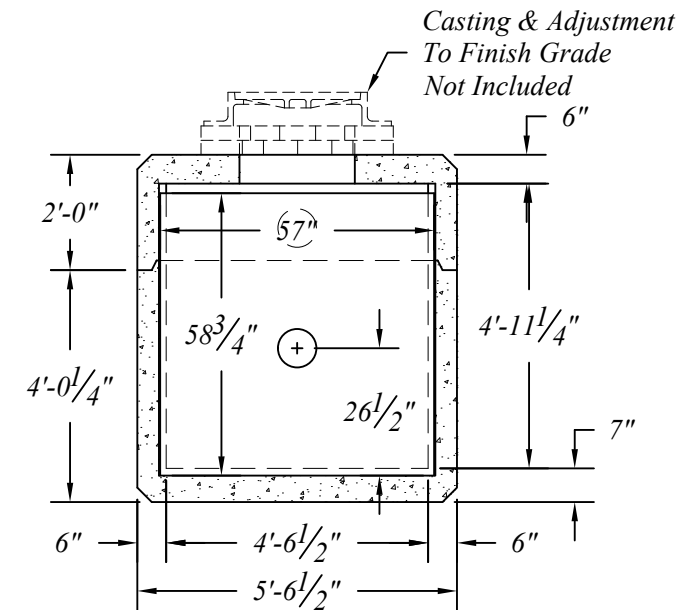
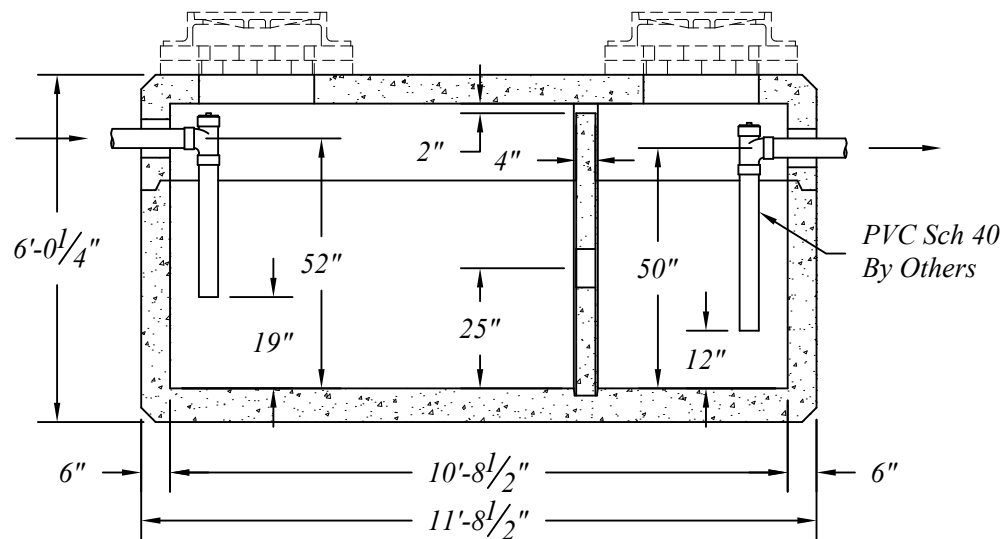
Reinforcement per ASTM A-615 & A-496.

Cover To Be Sealed w/1/2" EZ-Stik or Equal.

Pipe & Fittings For Inlets & Outlets Are Not Included.

Available Extra's:

- EJ Cast Iron Frames and Covers
- Concrete Grade Rings
- Fuel Resistant Butyl Sealant



- Base - 15,000 #
- Weir - 1,150 #
- Cover - 7,900 #
- Total - 24,050 #



401 Kelton St Bay City, MI 48706

5281 Lansing Rd
Charlotte, MI 48813

4950 White Lake Rd
Clarkston, MI 48346

2701 Chicago Dr SW
Wyoming, MI 49519

3756 Centennial Rd
Sylvania, OH 43560

Proposed - 1500 Gal. Traffic Interceptor/Grease Trap

Date 16 Sep 19

Revised

Rev. No.

Drawn By BmG

Scale NTS

08.03