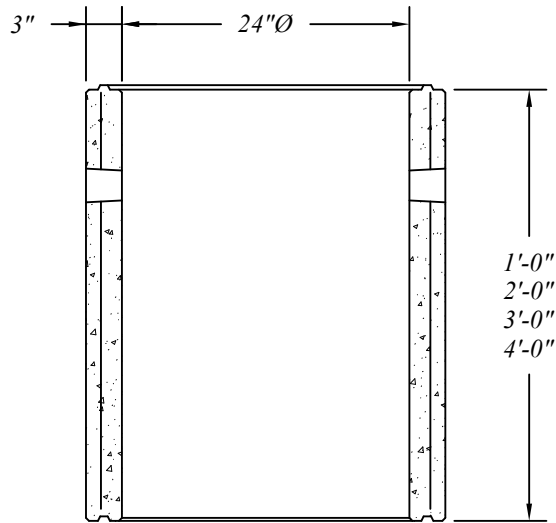
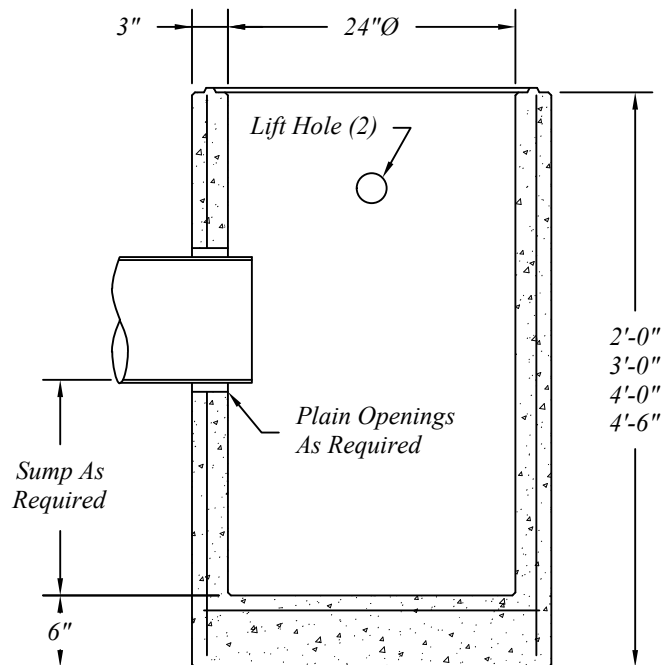


Standard Extensions



Standard Bottom Section
w/Integral Base



Standard 24"Ø Precast Concrete Catch Basin Sections



401 Kelton St Bay City, MI 48706
 5281 Lansing Rd Charlotte, MI 48813
 4950 White Lake Rd Clarkston, MI 48346
 2701 Chicago Dr SW Wyoming, MI 49519
 3756 Centennial Rd Sylvania, OH 43560

Date 12 May 16
 Drawn By BmG
 Scale NTS
03.01

Catch Basin Sections Manufactured To ASTM C-478 Specifications.

Reinforcing Shown For Schematic Only.