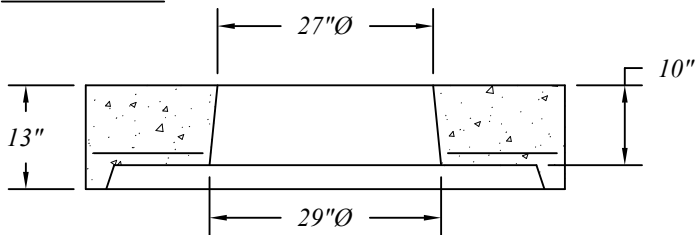
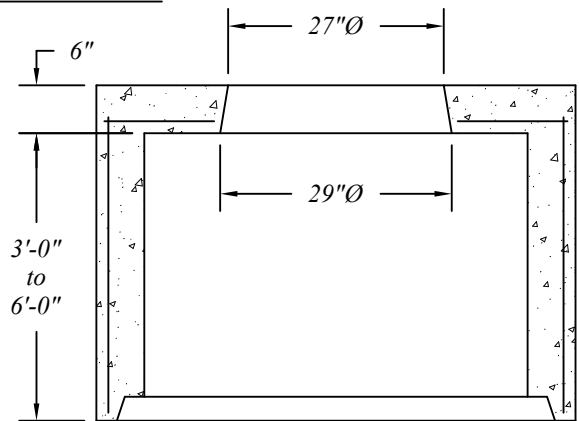


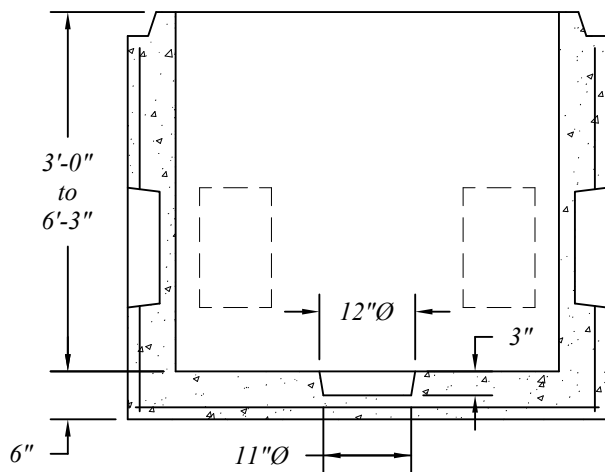
Standard Cover



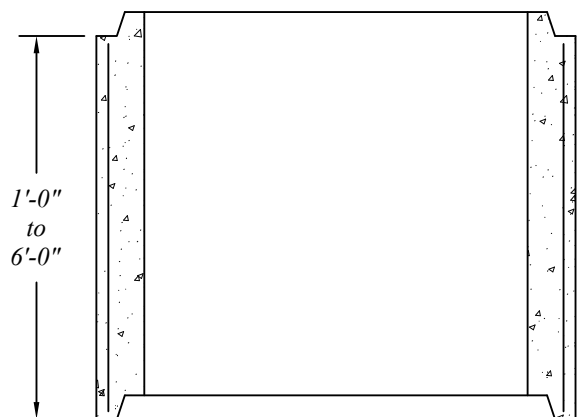
Extended Covers



Standard Base Sections



Standard Riser Sections



Electric Handhole Sections Manufactured To AASHTO Specifications w/HS-25 Loading.

Reinforcing Shown For Schematic Only.

NORTHERN CONCRETE PIPE



Standard 48" x 48" Precast Concrete Electric Handhole Sections

401 Kelton St Bay City, MI 48706

Date 16 May 16

5281 Lansing Rd
Charlotte, MI 48813

2701 Chicago Dr SW
Wyoming, MI 49519

Drawn By
BmG

4950 White Lake Rd
Clarkston, MI 48346

3756 Centennial Rd
Sylvania, OH 43560

Scale
NTS

08.14