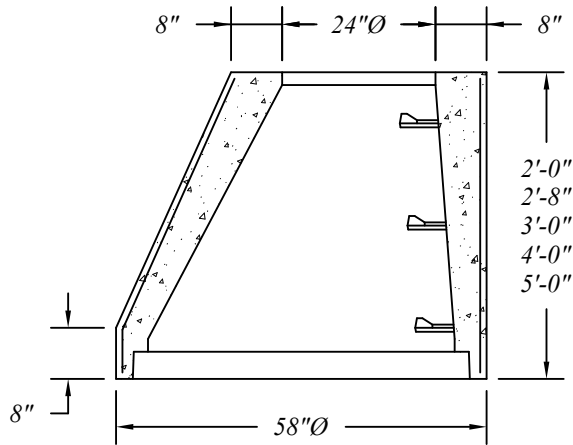
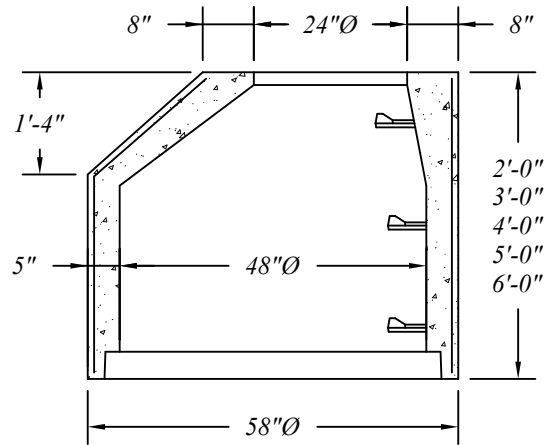


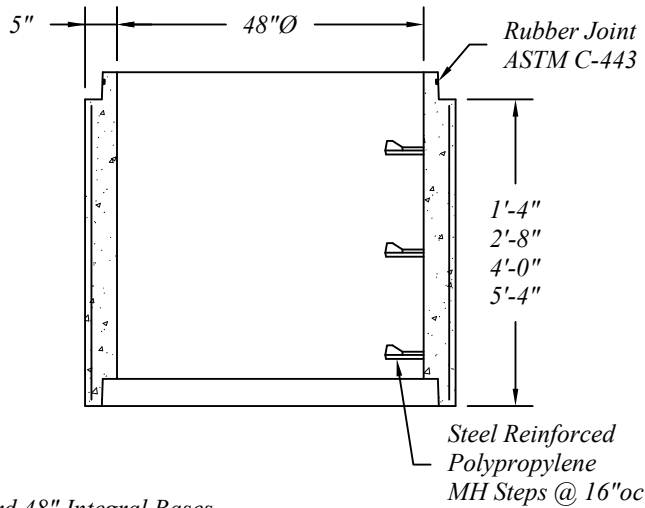
Standard 48" Storm Catch Basin Cones



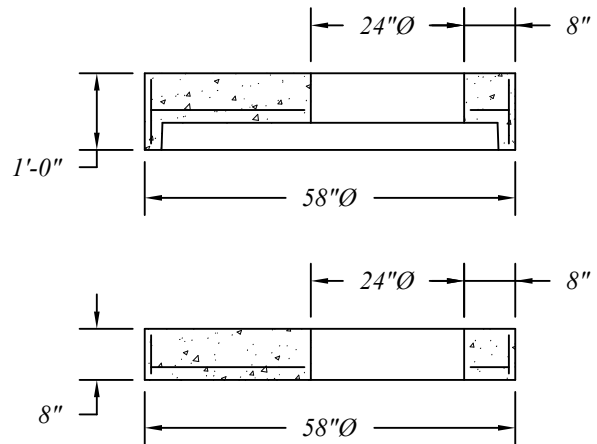
Standard 48" Storm Catch Basin Riser Cones



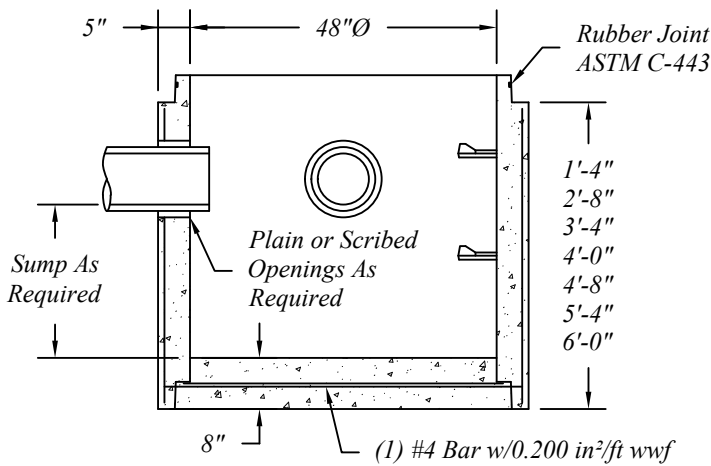
Standard 48" Storm Catch Basin Risers



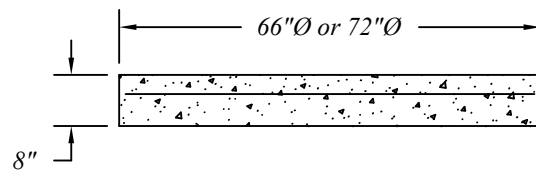
48" Storm Catch Basin Flat Covers  
For Fill Less Than 2.5' Over Pipe



Standard 48" Integral Bases



Standard Separate Bases



48" Catch Basin Pipe, Cones and Bases Are  
Manufactured To ASTM C-478 Specifications.

Reinforcing Shown For Schematic Only.

Standard 48"Ø Precast Concrete Storm Catch Basin Sections



401 Kelton St Bay City, MI 48706

Date 11 May 16

5281 Lansing Rd  
Charlotte, MI 48813

2701 Chicago Dr SW  
Wyoming, MI 49519

Drawn By  
BmG

4950 White Lake Rd  
Clarkston, MI 48346

3756 Centennial Rd  
Sylvania, OH 43560

Scale  
NTS

02.02