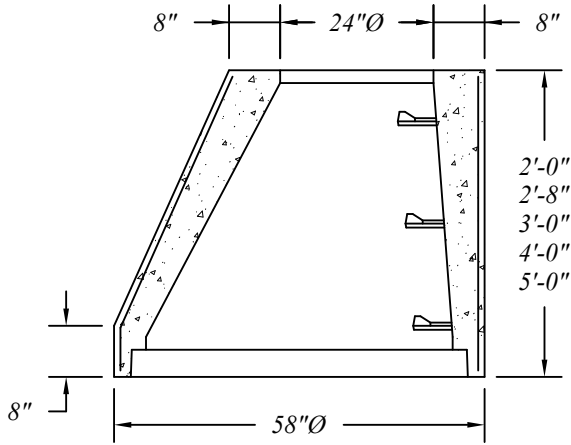
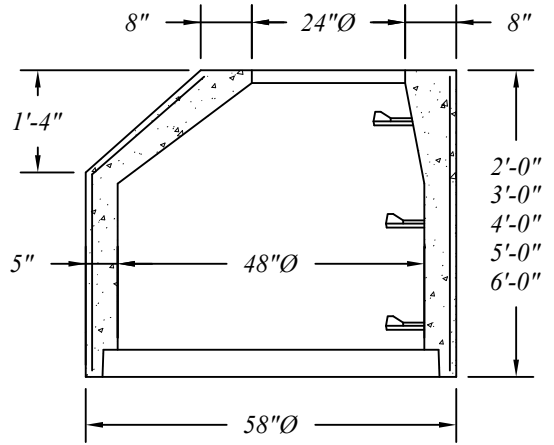


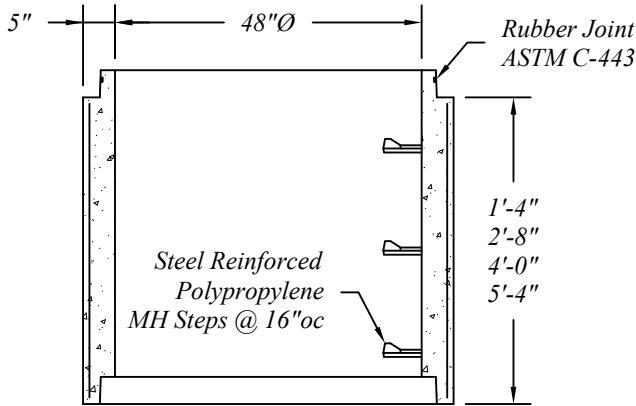
Standard 48" Storm Manhole Cones



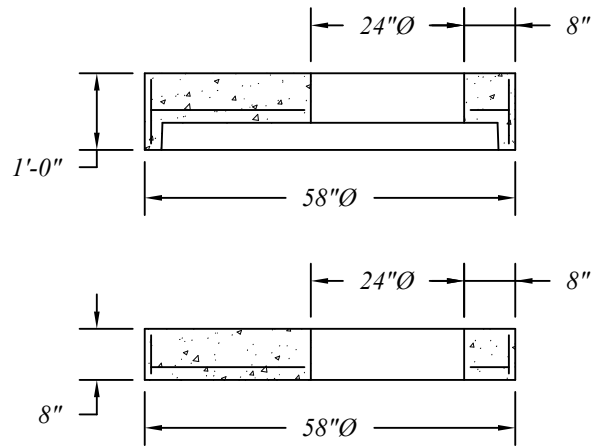
Standard 48" Storm Riser Cones



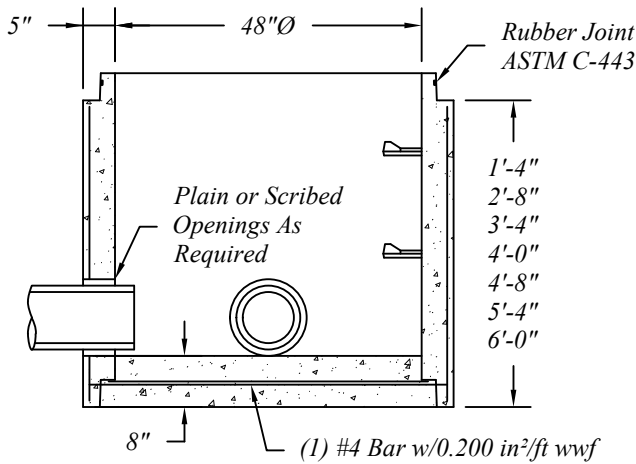
Standard 48" Storm Manhole Risers



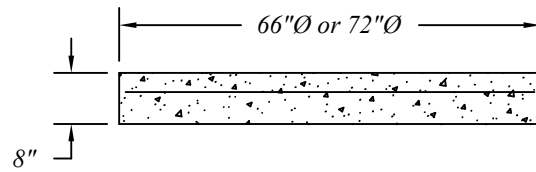
48" Storm Manhole Flat Covers  
For Fill Less Than 2.5' Over Pipe



Standard 48" Integral Bases



Standard Separate Bases



48" Manhole Pipe, Cones and Bases Are Manufactured To ASTM C-478 Specifications.

Reinforcing Shown For Schematic Only.

Standard 48"Ø Precast Concrete Storm Manhole Sections		
	401 Kelton St Bay City, MI 48706	Date 11 May 16
	5281 Lansing Rd Charlotte, MI 48813	2701 Chicago Dr SW Wyoming, MI 49519
	4950 White Lake Rd Clarkston, MI 48346	3756 Centennial Rd Sylvania, OH 43560
	Drawn By BmG Scale NTS <b>02.01</b>	