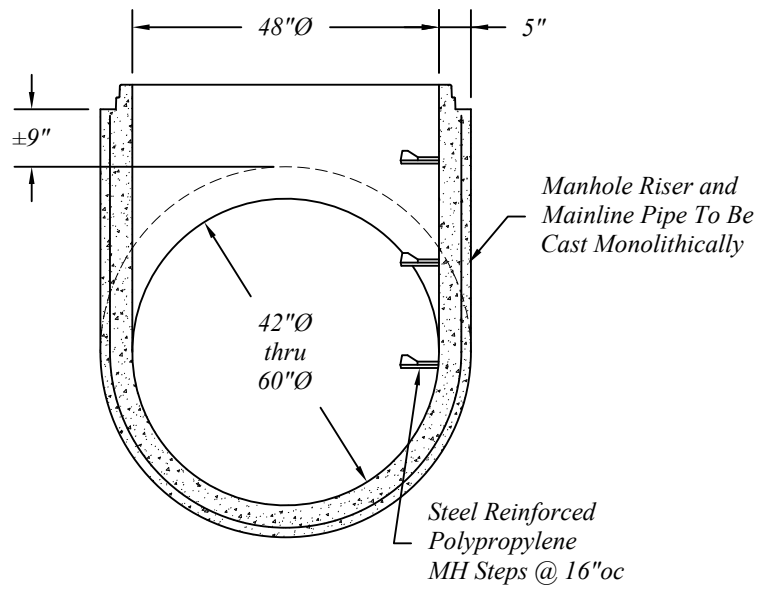
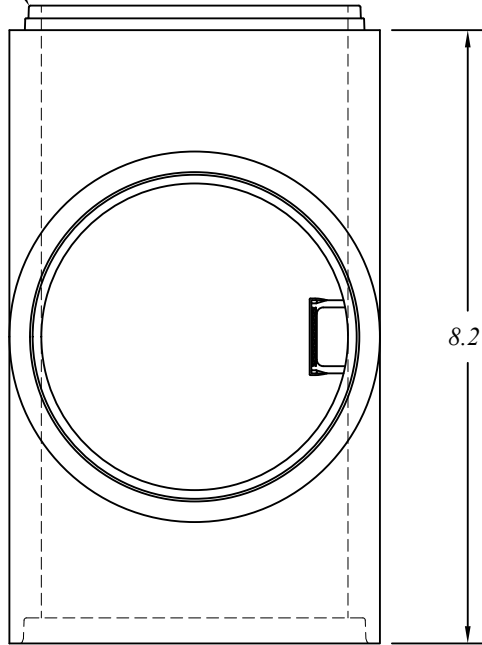


Rubber Joint
ASTM C-443



Pipe Manufactured To ASTM C-76
Specifications, Reinforcing Class As Required.

48" Manhole Riser Manufactured To ASTM
C-478 Specifications.

Reinforcing Shown For Schematic Only.

42"Ø Thru 60"Ø Monolithic Concentric Manhole Tee



401 Kelton St Bay City, MI 48706

Date
12 May 16

5281 Lansing Rd
Charlotte, MI 48813

2701 Chicago Dr SW
Wyoming, MI 49519

Drawn By
BmG

4950 White Lake Rd
Clarkston, MI 48346

3756 Centennial Rd
Sylvania, OH 43560

Scale
NTS

05.05