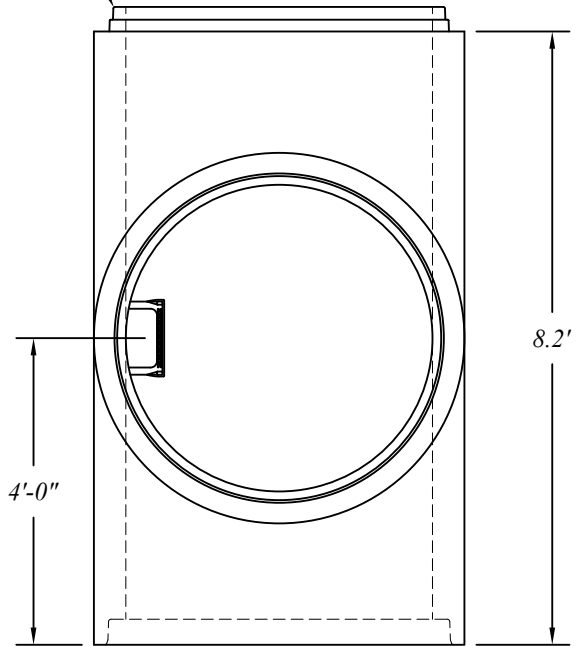
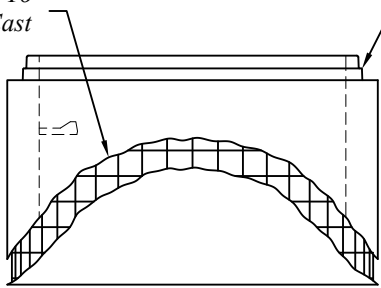


Pipe & Riser Section To Be Cut To Shape When Cast. Riser To Be Set On Mainline Section, Exposed Reinforcing Fabric Of Each Piece To Be Lapped And Welded. Area Of Exposed Reinforcing Mesh To Be Filled And Finished With Speed-Crete Or Equal.

Rubber Joint  
ASTM C-443



48" Riser Cut To Shape When Cast

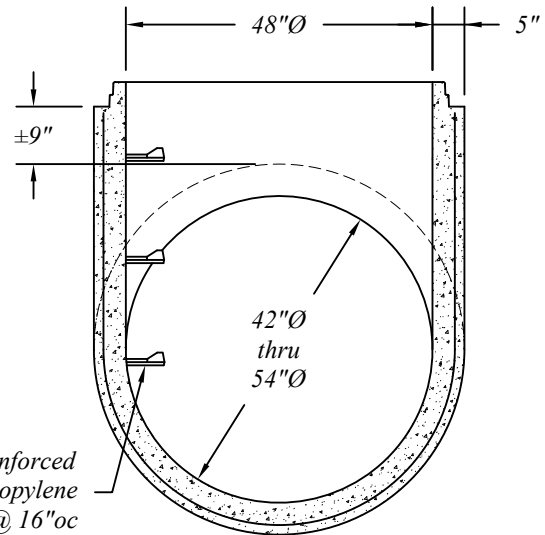
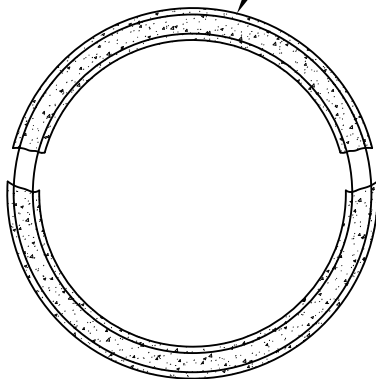


Rubber Joint  
ASTM C-443

4'-0"

8.2'

Mainline Pipe Cut To Shape When Cast



Steel Reinforced  
Polypropylene  
MH Steps @ 16"oc

Pipe Manufactured To ASTM C-76 Specifications, Reinforcing Class As Required.

48" Manhole Riser Manufactured To ASTM C-478 Specifications.

Reinforcing Shown For Schematic Only.

42"Ø Thru 54"Ø Prefabricated Concentric Manhole Tee



401 Kelton St Bay City, MI 48706

Date  
12 May 16

5281 Lansing Rd  
Charlotte, MI 48813

2701 Chicago Dr SW  
Wyoming, MI 49519

Drawn By  
BmG

Scale  
NTS

4950 White Lake Rd  
Clarkston, MI 48346

3756 Centennial Rd  
Sylvania, OH 43560

05.04