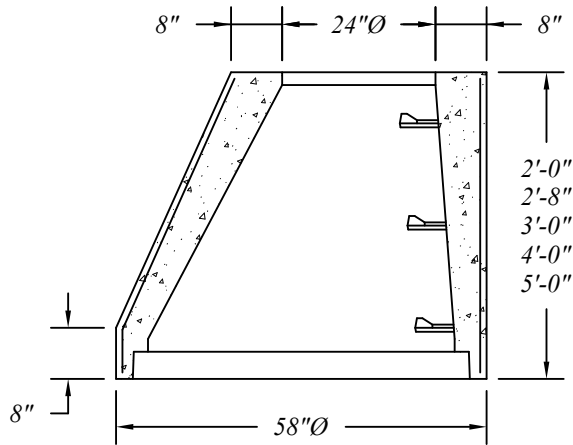
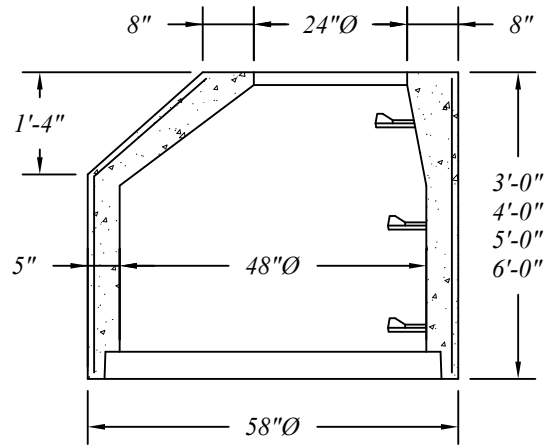


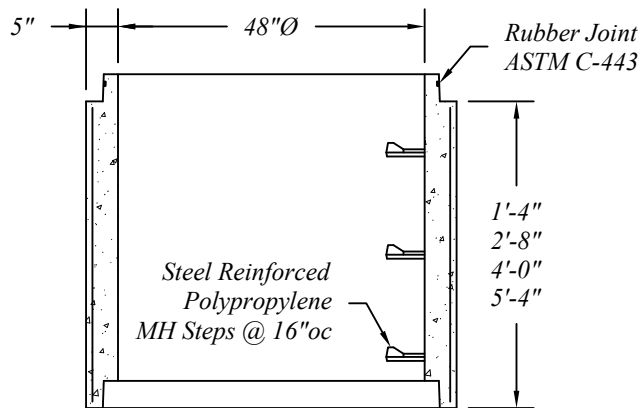
Standard 48" Sanitary Manhole Cones



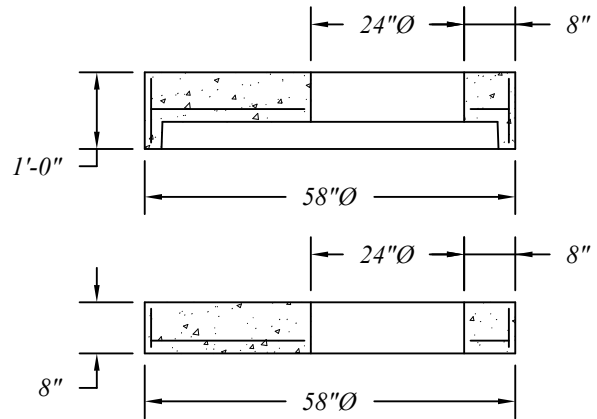
Standard 48" Sanitary Riser Cones



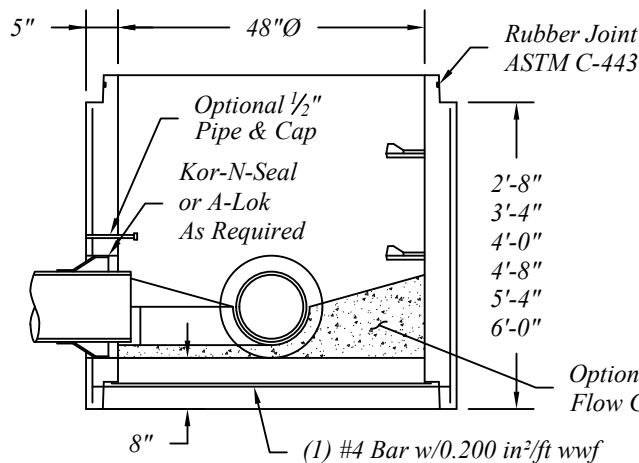
Standard 48" Sanitary Manhole Risers



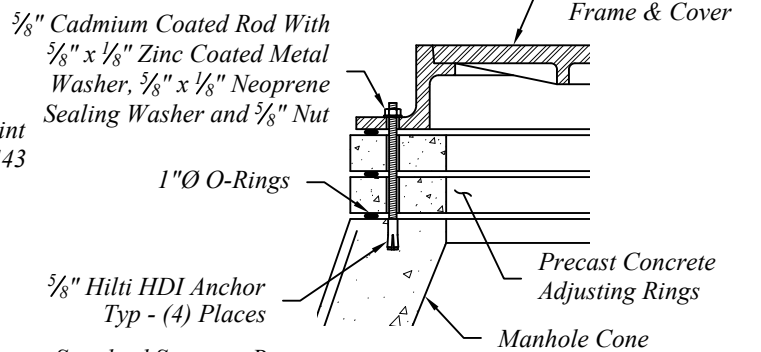
48" Sanitary Manhole Flat Covers
For Fill Less Than 2.5' Over Pipe



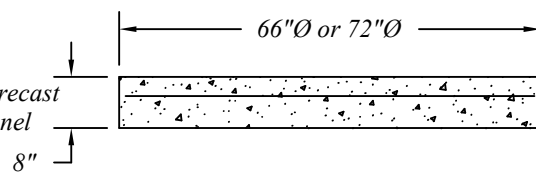
Standard 48" Integral Bases



Optional Bolt Down Casting Assembly



Standard Separate Bases



48" Manhole Pipe, Cones and Bases Are Manufactured To ASTM C-478 Specifications.

All Cones & Flat Covers Are Available With Optional Bolt Down Casting Assembly. See Detail.

Reinforcing Shown For Schematic Only.

Standard 48" Precast Concrete Sanitary Manhole Sections



401 Kelton St Bay City, MI 48706
 5281 Lansing Rd Charlotte, MI 48813
 4950 White Lake Rd Clarkston, MI 48346

Date 11 May 16
 Drawn By BmG
 Scale NTS
 02.03