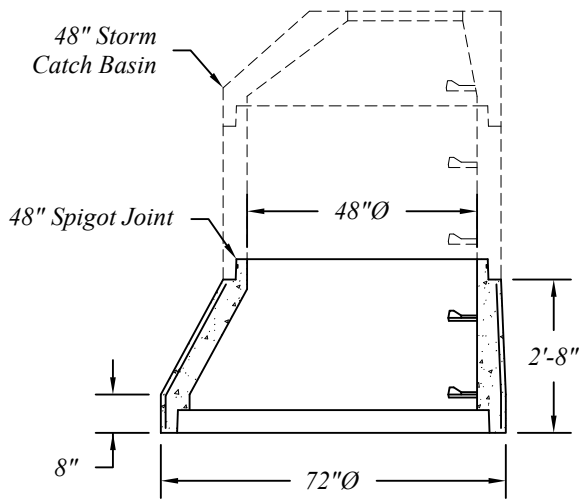
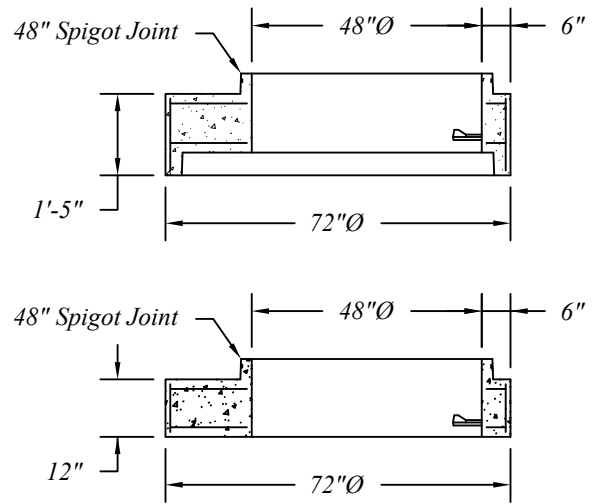


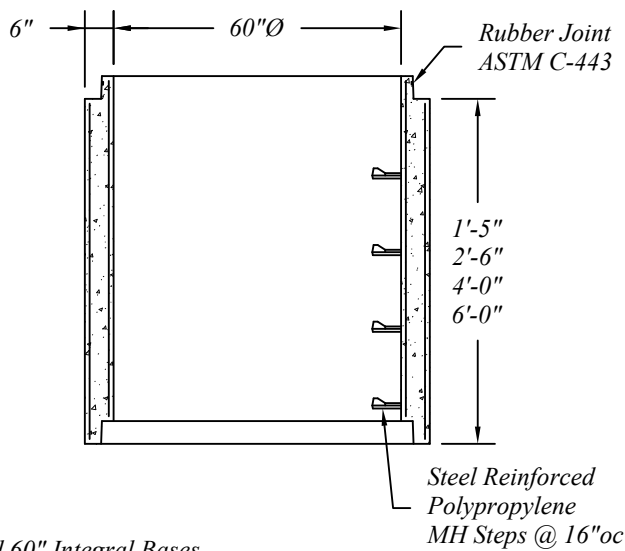
Standard 60" Storm Catch Basin Reducer



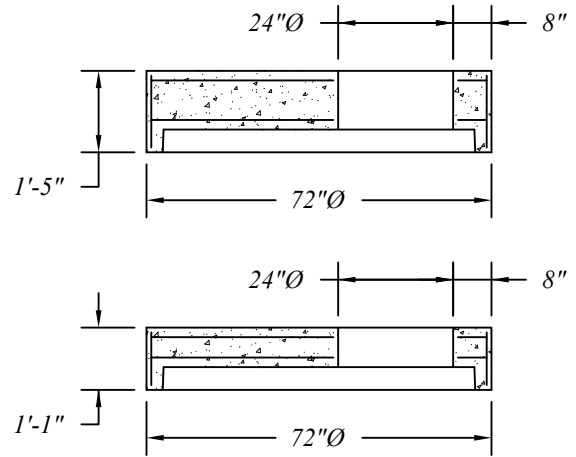
60" Storm Catch Basin Flat Reducers



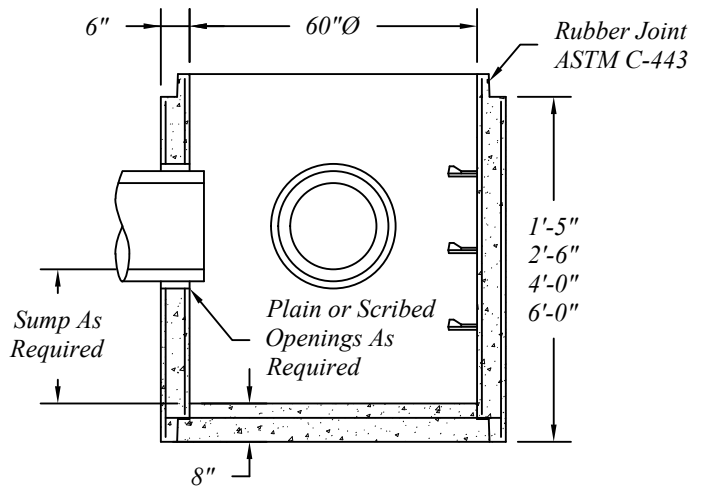
Standard 60" Storm Catch Basin Risers



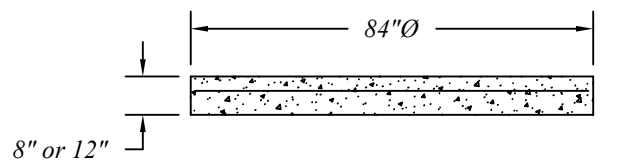
60" Storm Catch Basin Flat Covers  
*For Fill Less Than 3.5' Over Pipe*



Standard 60" Integral Bases



Standard Separate Bases



60" Catch Basin Pipe, Reducers, Covers and Bases Are Manufactured To ASTM C-478 Specifications.

Reinforcing Shown For Schematic Only.

*Standard 60"Ø Precast Concrete Storm Catch Basin Sections*



401 Kelton St Bay City, MI 48706  
 5281 Lansing Rd Charlotte, MI 48813  
 4950 White Lake Rd Clarkston, MI 48346  
 2701 Chicago Dr SW Wyoming, MI 49519  
 3756 Centennial Rd Sylvania, OH 43560

Date 12 May 16  
 Drawn By BmG  
 Scale NTS  
**02.07**