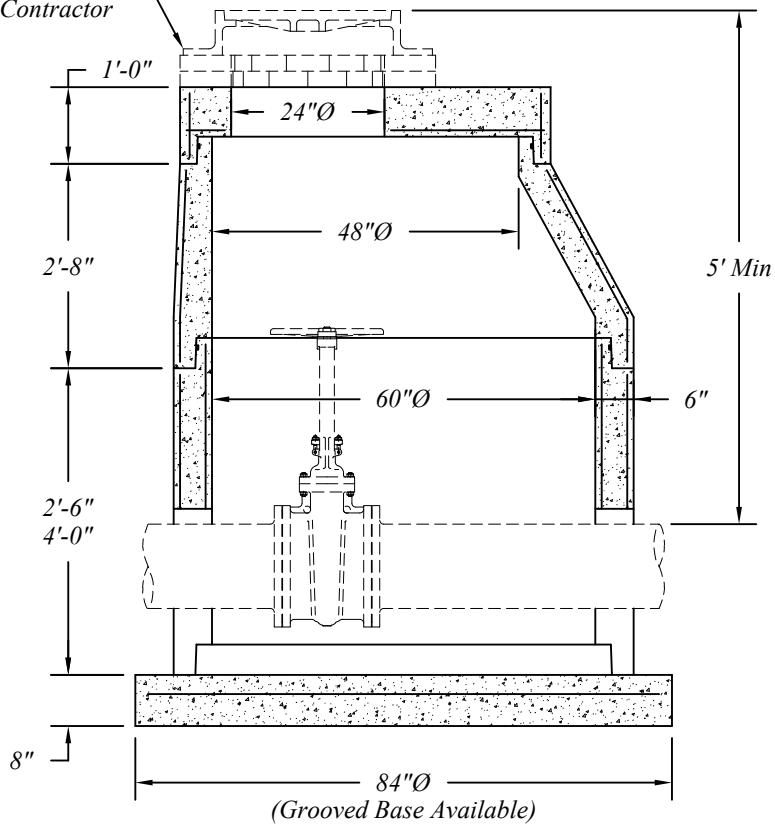


*Casting & Adjustment  
To Finish Grade  
By Contractor*



*Standard 60"Ø Precast Concrete Eccentric Gate Well*



401 Kelton St Bay City, MI 48706

Date  
12 May 16

5281 Lansing Rd  
Charlotte, MI 48813

2701 Chicago Dr SW  
Wyoming, MI 49519

Drawn By  
BmG

4950 White Lake Rd  
Clarkston, MI 48346

3756 Centennial Rd  
Sylvania, OH 43560

Scale  
NTS

**04.01**

*Gate Well Sections Manufactured To ASTM  
C-478 Specifications.*

*Reinforcing Shown For Schematic Only.*