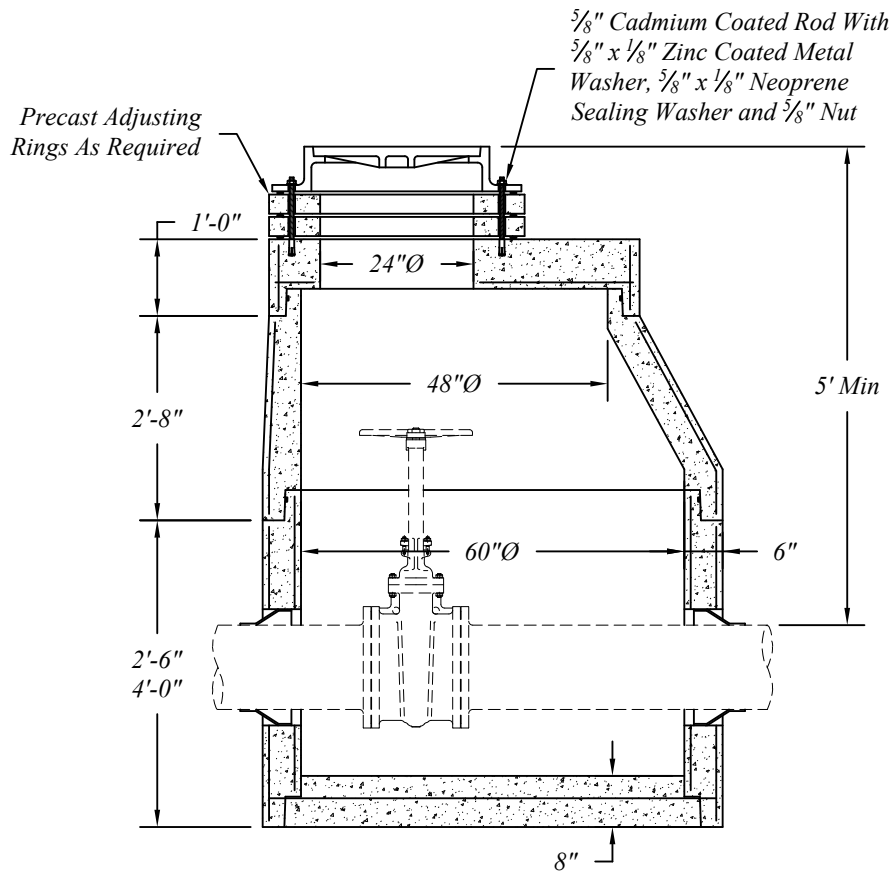


Cored Opening For Specified Pipe w/Kor-N-Seal Boot Typ - (2) Places



Gate Well Sections Manufactured To ASTM C-478 Specifications.

Reinforcing Shown For Schematic Only.

Standard 60"Ø Precast Concrete Oakland County Gate Well			
	401 Kelton St Bay City, MI 48706		Date 12 May 16
	5281 Lansing Rd Charlotte, MI 48813	2701 Chicago Dr SW Wyoming, MI 49519	Drawn By BmG
	4950 White Lake Rd Clarkston, MI 48346	3756 Centennial Rd Sylvania, OH 43560	Scale NTS
			04.05