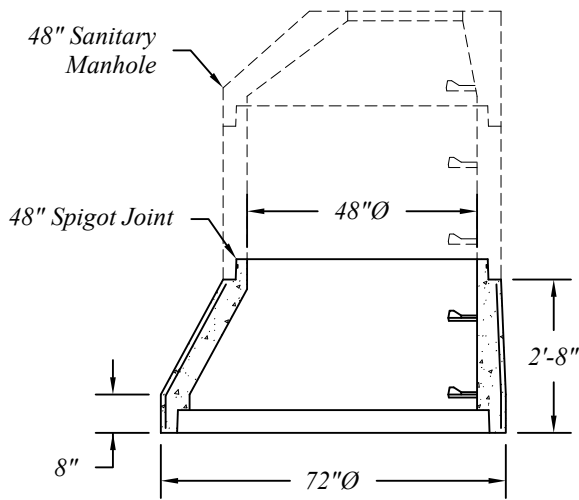
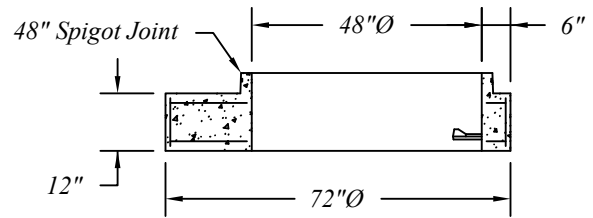
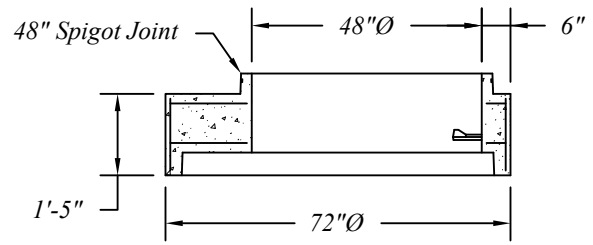


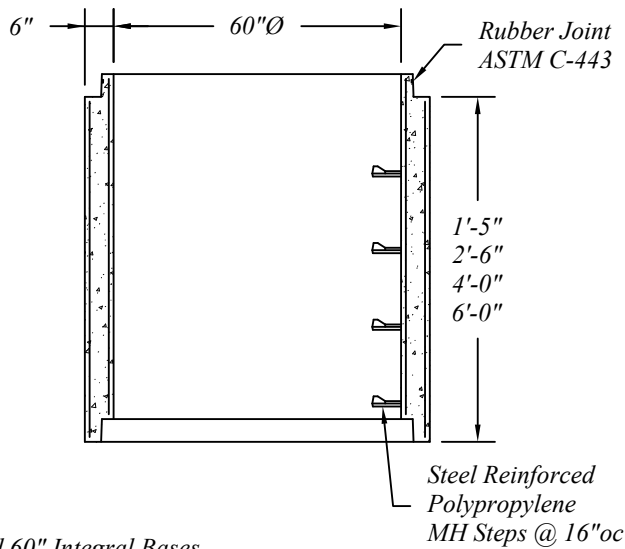
Standard 60" Sanitary Manhole Reducer



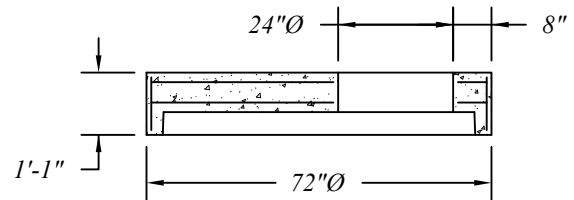
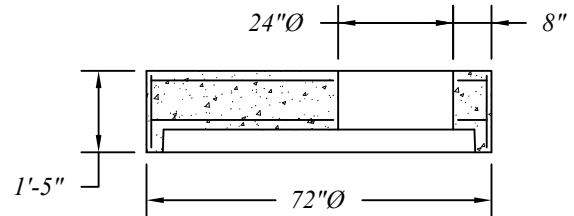
60" Sanitary Manhole Flat Reducers



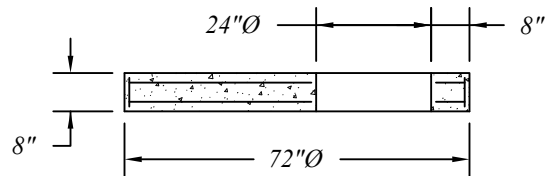
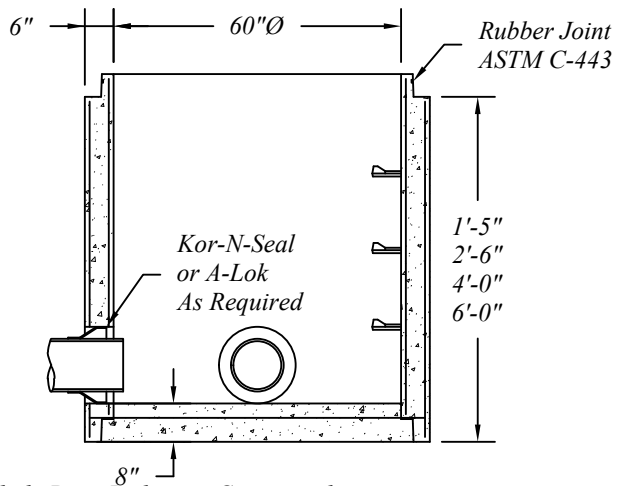
Standard 60" Sanitary Manhole Risers



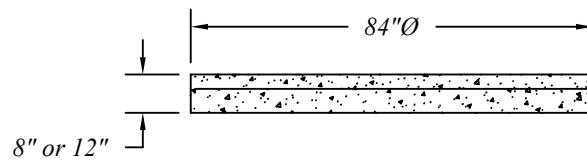
60" Sanitary Manhole Flat Covers  
For Fill Less Than 3.5' Over Pipe



Standard 60" Integral Bases



Standard Separate Bases



60" Manhole Pipe, Reducers, Covers and Bases Are Manufactured To ASTM C-478 Specifications.

Flat Covers Are Available With Optional Bolt Down Casting Assembly. See 48" Sanitary Manhole Detail.

Reinforcing Shown For Schematic Only.

Standard 60"Ø Precast Concrete Sanitary Manhole Sections



401 Kelton St Bay City, MI 48706  
 5281 Lansing Rd Charlotte, MI 48813  
 4950 White Lake Rd Clarkston, MI 48346  
 2701 Chicago Dr SW Wyoming, MI 49519  
 3756 Centennial Rd Sylvania, OH 43560

Date 12 May 16  
 Drawn By BmG  
 Scale NTS  
 02.08