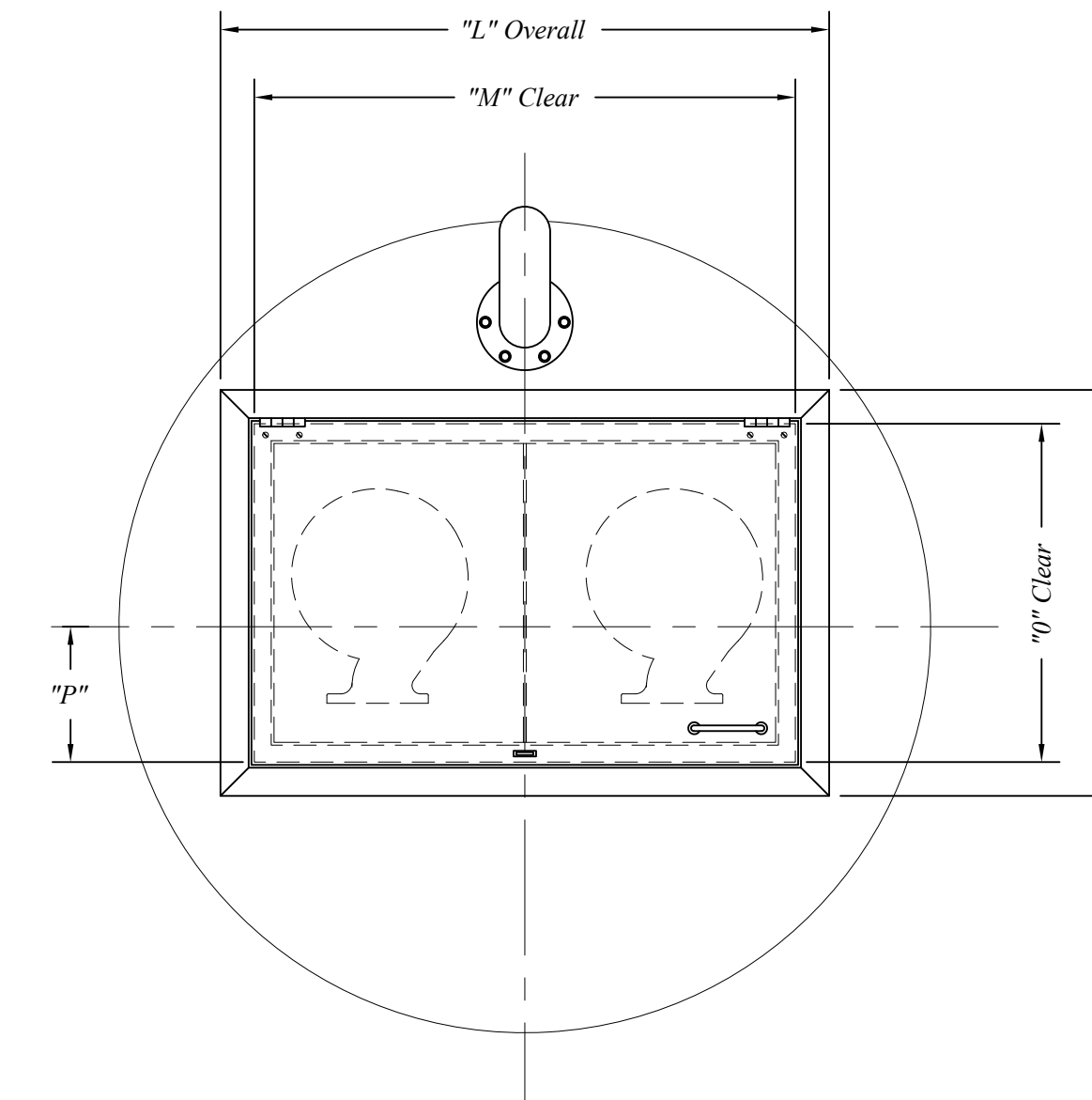
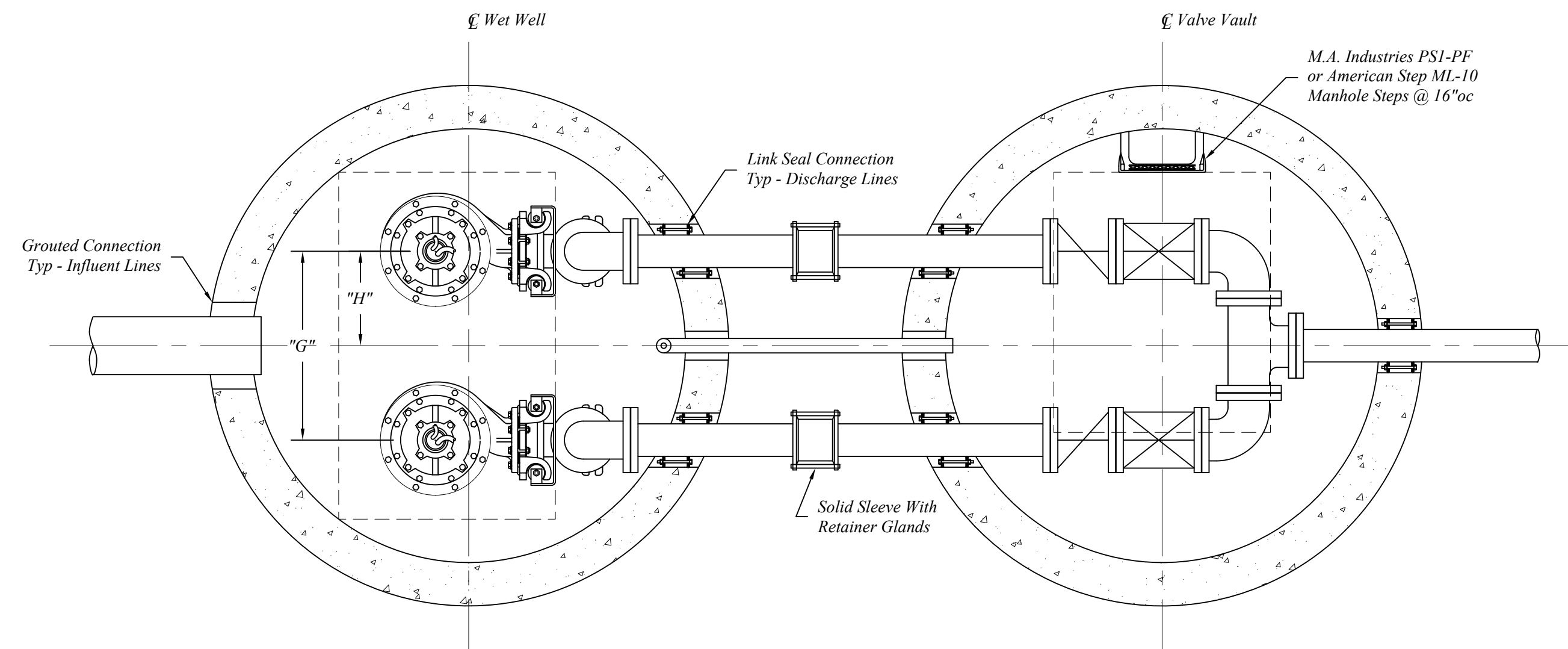
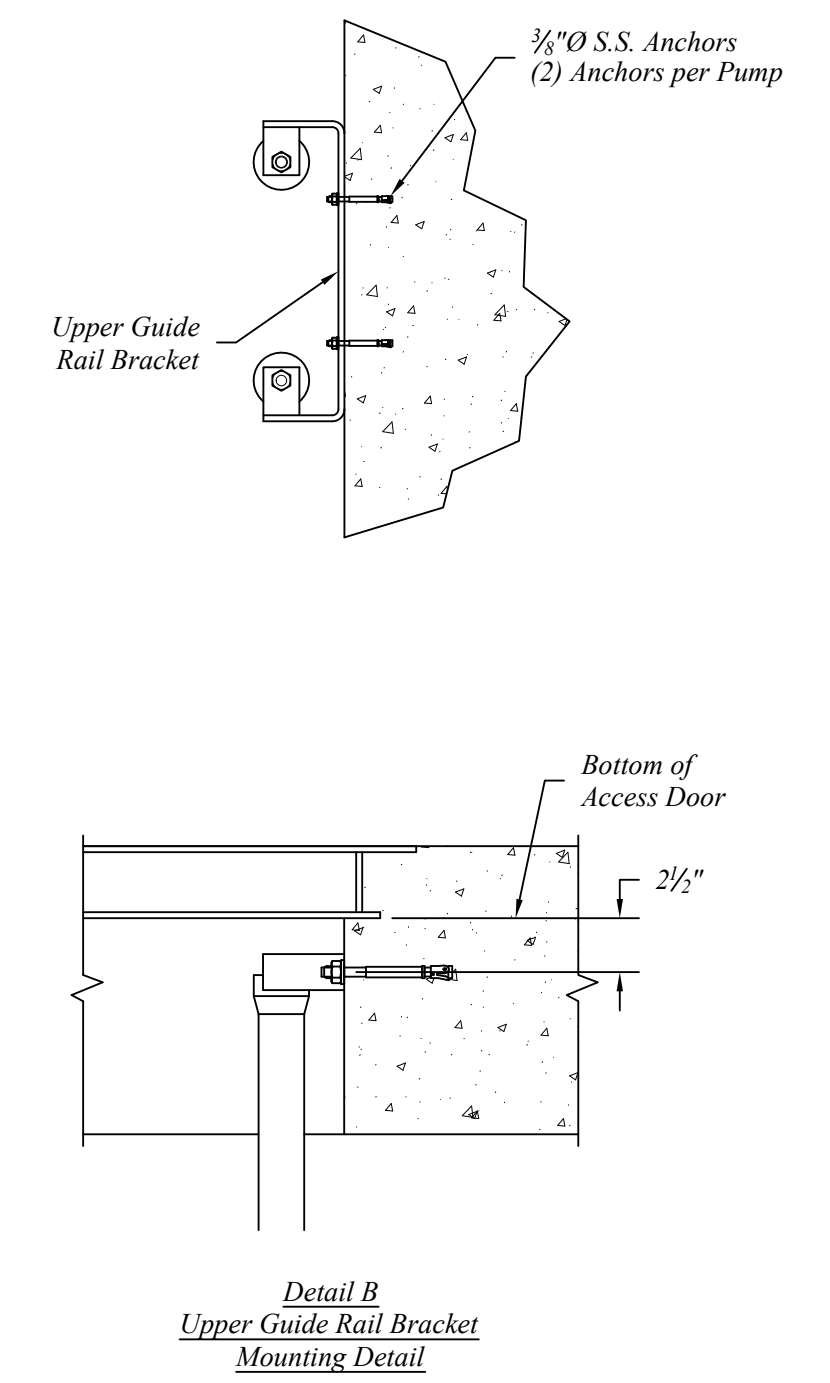
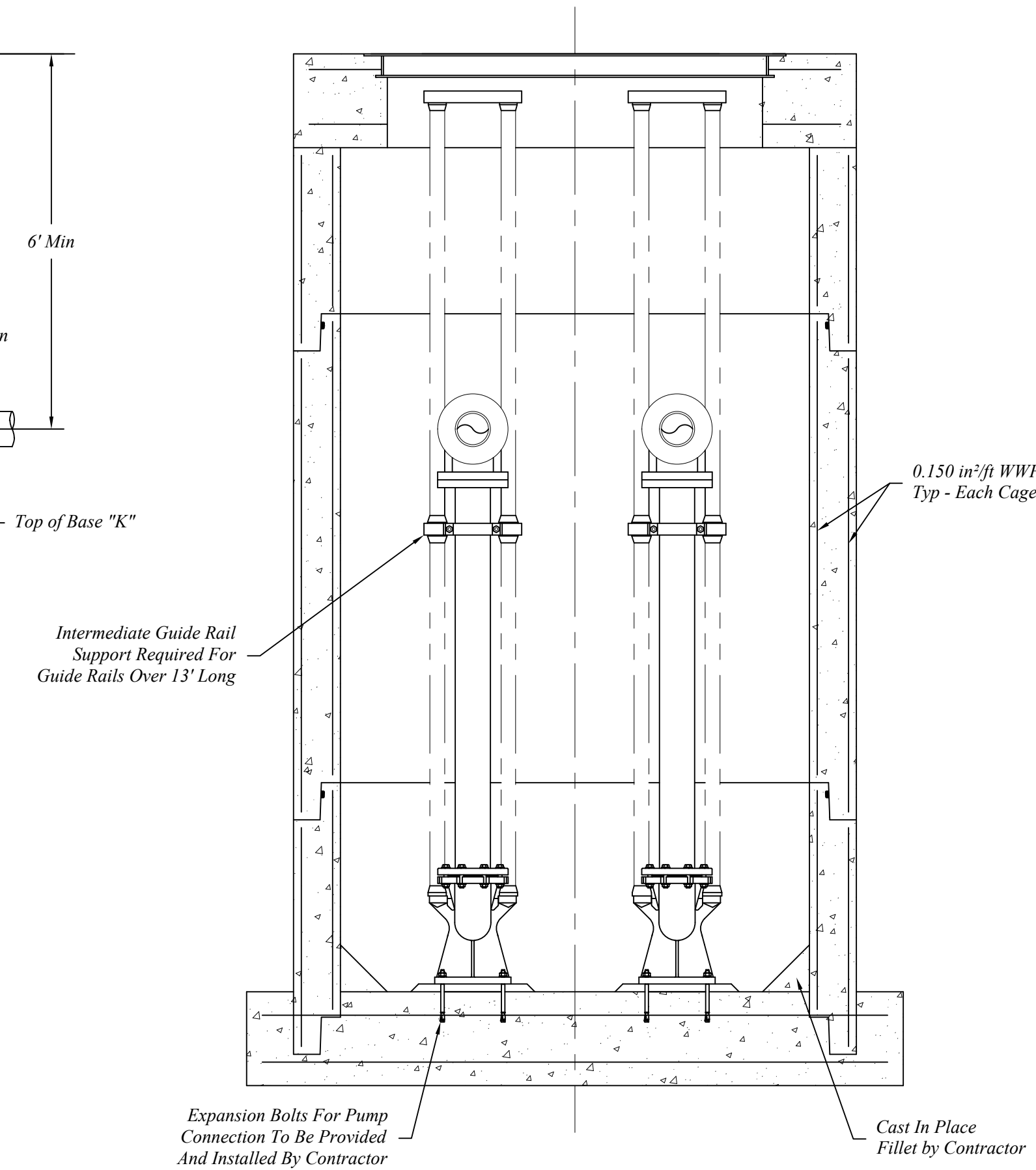
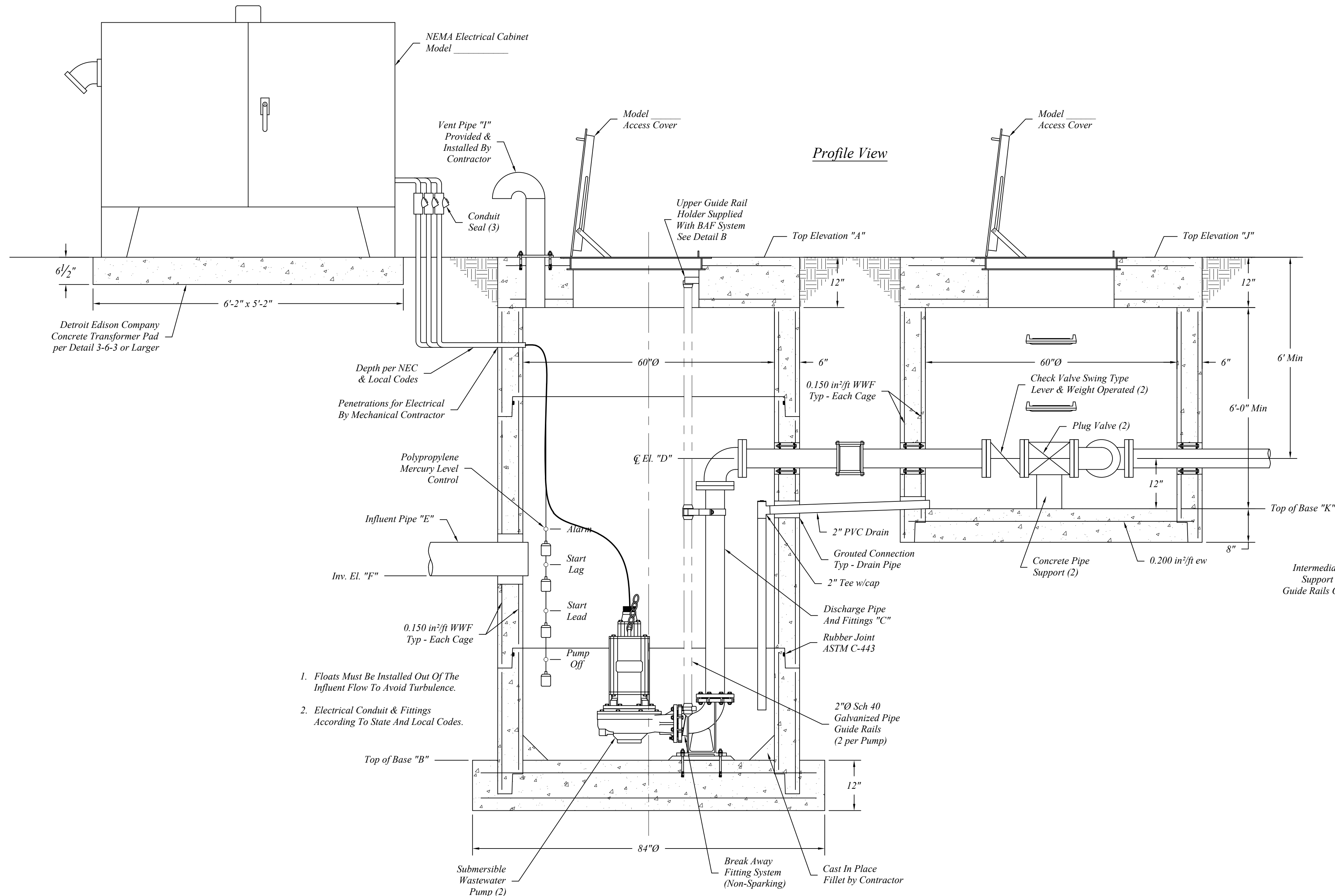


Plan View



Profile View



Precast Notes:
 Pump Station Sections To Be Manufactured To ASTM C-478 Specifications w/HIS-20 Loading.
 Manufactured as per Northern Concrete Pipe, Inc. (1.800.222.9918) or approved equal.
 Concrete: 4000 psi @ 28 Days.
 Reinforcement per ASTM A-615 & A-496.

| Wet Well Dimensions | |
|---|---------------------------------|
| A | Top of Cover Elevation |
| B | Top of Base Elevation |
| C | Discharge Pipe Diameter |
| D | Discharge Pipe ϕ Elevation |
| E | Influent Pipe Diameter |
| F | Influent Pipe Inv. Elevation |
| G | Discharge Line Spacing |
| H | Discharge Line Offset |
| I | Vent Pipe Diameter |
| Wet Well Cover Reinforcing # Bars @ " oc, ew | |
| Wet Well Base Reinforcing # Bars @ " oc, ew | |
| Valve Vault Dimensions | |
| J | Top of Cover Elevation |
| K | Top of Base Elevation |
| Valve Vault Cover Reinforcing # Bars @ " oc, ew | |
| Wet Well Access Hatch Dimensions | |
| L | Access Hatch Overall Length |
| M | Access Hatch Clear Length |
| N | Access Hatch Overall Width |
| O | Access Hatch Clear Width |
| P | Access Hatch Offset |
| Pump Specifications | |
| Pump Model Number | |
| Gallons per Minute (GPM) | |
| Total Dynamic Head (TDH) | |
| Horse Power (HP) | |
| Phase | |
| Voltage (V) | |
| Alarm Elevation | |
| Lag Pump Elevation | |
| Lead Pump Elevation | |
| Pump Off Elevation | |