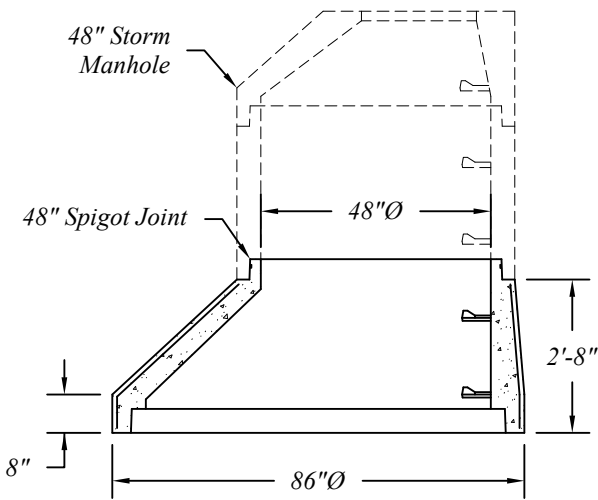
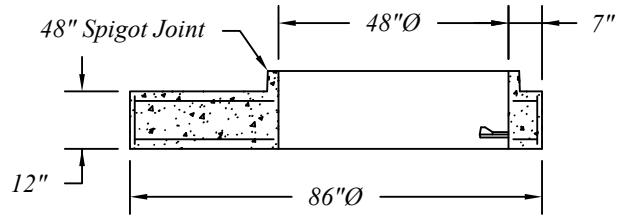
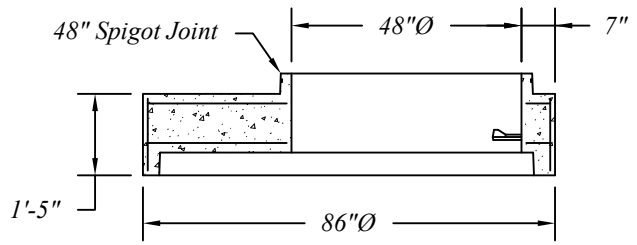


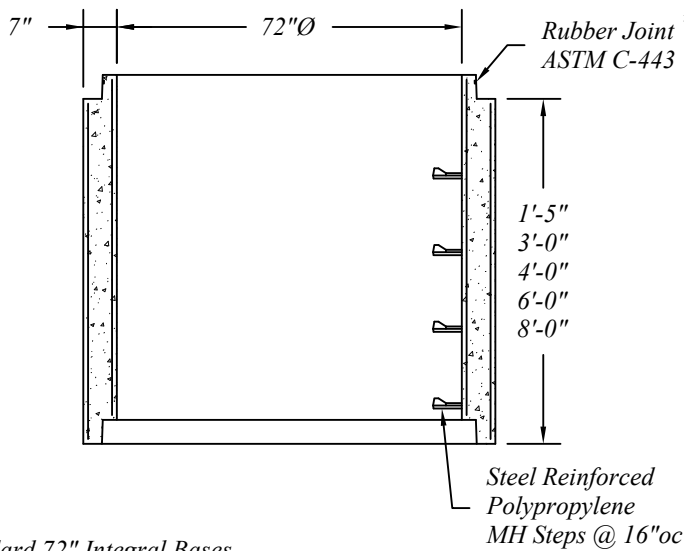
Standard 72" Storm Catch Basin Reducer



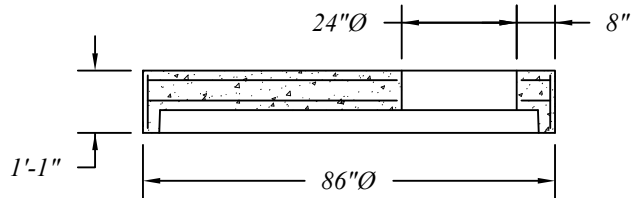
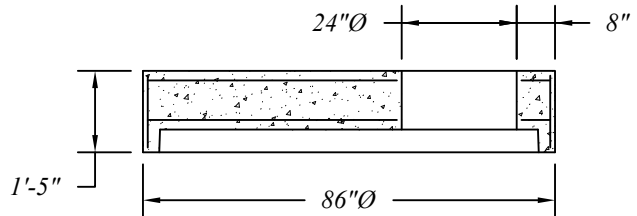
72" Storm Catch Basin Flat Reducers



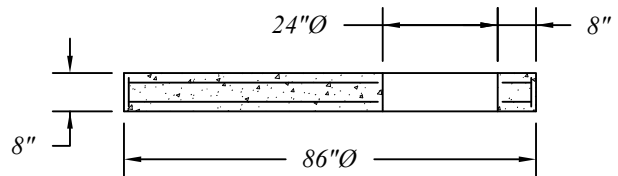
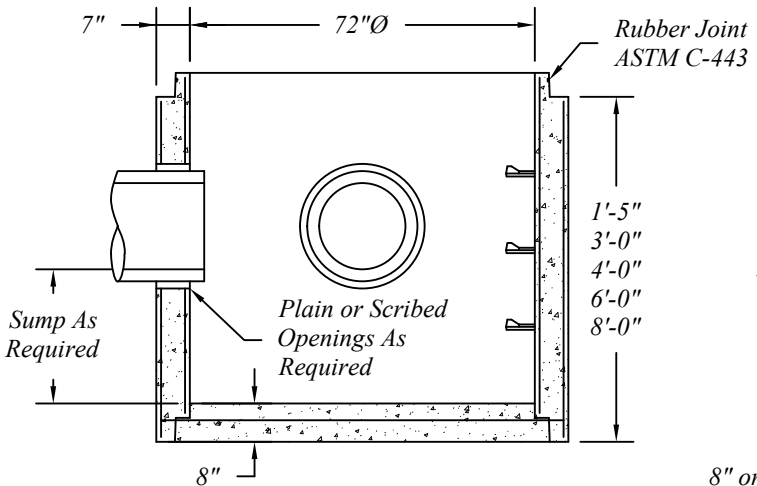
Standard 72" Storm Catch Basin Risers



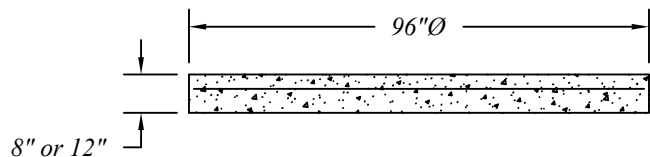
72" Storm Catch Basin Flat Covers
For Fill Less Than 3.5' Over Pipe



Standard 72" Integral Bases



Standard Separate Bases



72" Catch Basin Pipe, Reducers, Covers and Bases Are Manufactured To ASTM C-478 Specifications.

Reinforcing Shown For Schematic Only.

Standard 72"Ø Precast Concrete Storm Catch Basin Sections



401 Kelton St Bay City, MI 48706
5281 Lansing Rd Charlotte, MI 48813
4950 White Lake Rd Clarkston, MI 48346

2701 Chicago Dr SW Wyoming, MI 49519
3756 Centennial Rd Sylvania, OH 43560

Date 12 May 16
Drawn By BmG
Scale NTS
02.10