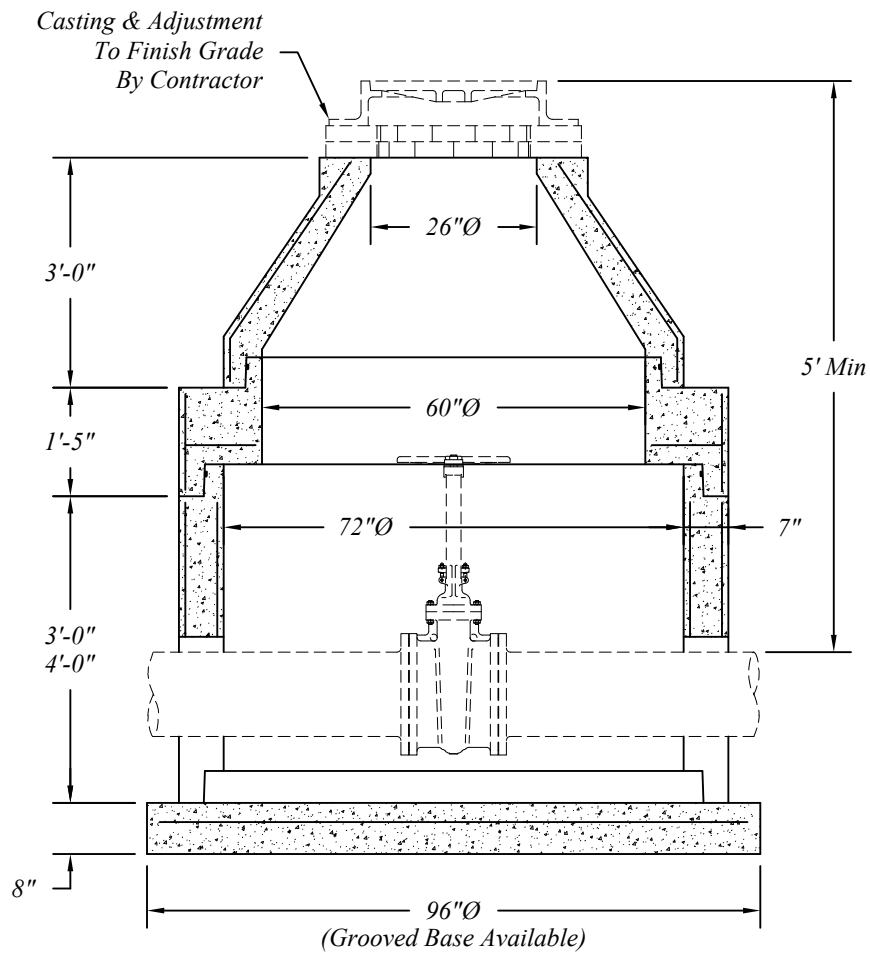


*Doghouse Openings
For DIP Watermain
Typ - (2) Places*



*Casting & Adjustment
To Finish Grade
By Contractor*

3'-0"

1'-5"

3'-0"
4'-0"

8"

26"Ø

60"Ø

72"Ø

96"Ø

(Grooved Base Available)

5' Min

7"

Standard 72"Ø Precast Concrete Concentric Gate Well



401 Kelton St Bay City, MI 48706

5281 Lansing Rd
Charlotte, MI 48813

4950 White Lake Rd
Clarkston, MI 48346

2701 Chicago Dr SW
Wyoming, MI 49519

3756 Centennial Rd
Sylvania, OH 43560

Date
12 May 16

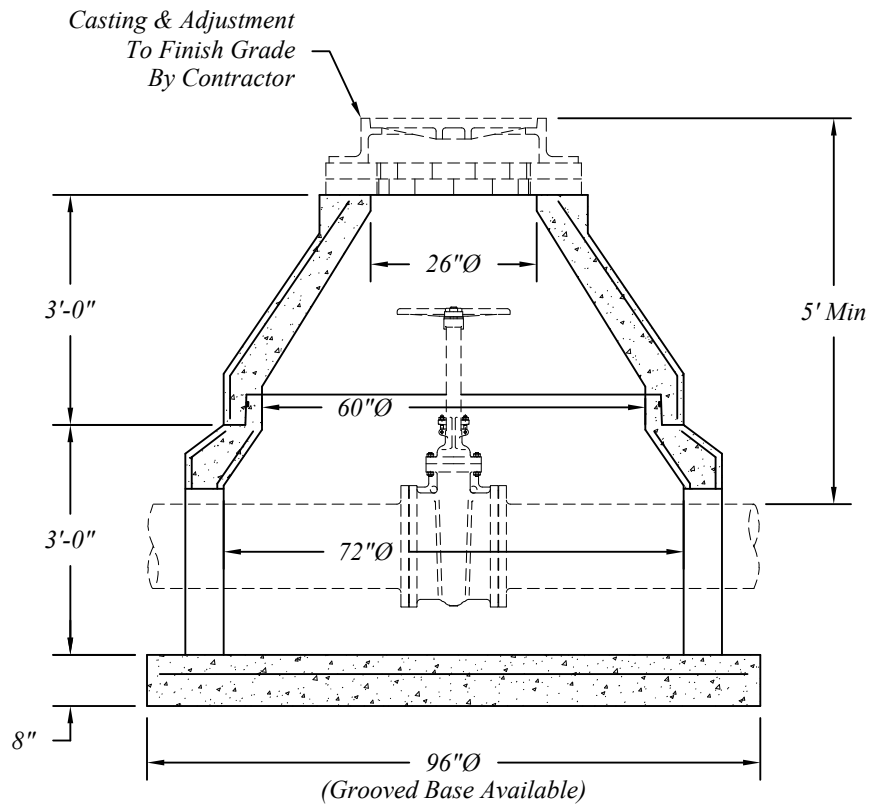
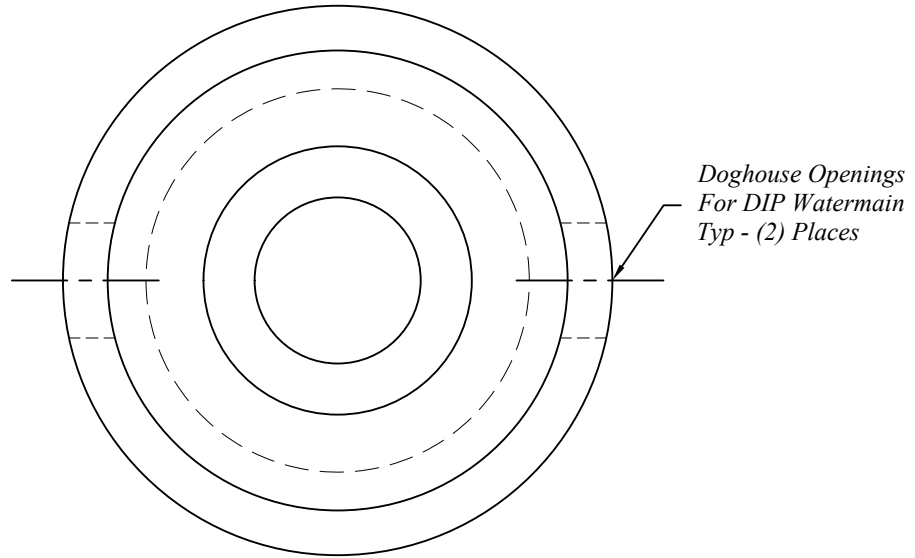
Drawn By
BmG

Scale
NTS

04.04a

*Gate Well Sections Manufactured To ASTM
C-478 Specifications.*

Reinforcing Shown For Schematic Only.



Gate Well Sections Manufactured To ASTM
C-478 Specifications.

Reinforcing Shown For Schematic Only.

Standard 72"Ø Precast Concrete Concentric Gate Well		
	401 Kelton St Bay City, MI 48706	Date 14 Apr 15
	5281 Lansing Rd Charlotte, MI 48813	2701 Chicago Dr SW Wyoming, MI 49519 Drawn By BmG
	4950 White Lake Rd Clarkston, MI 48346	3756 Centennial Rd Sylvania, OH 43560 Scale NTS
	04.04b	