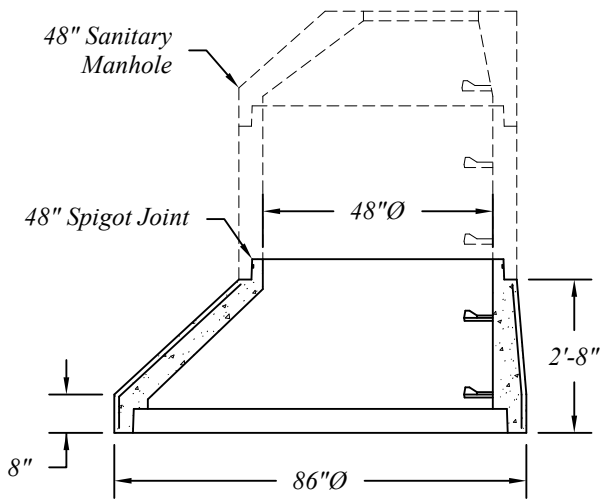
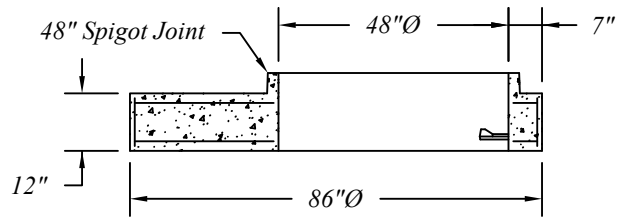
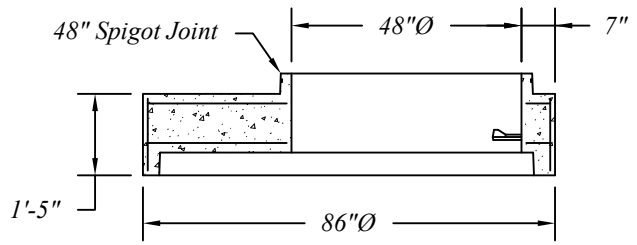


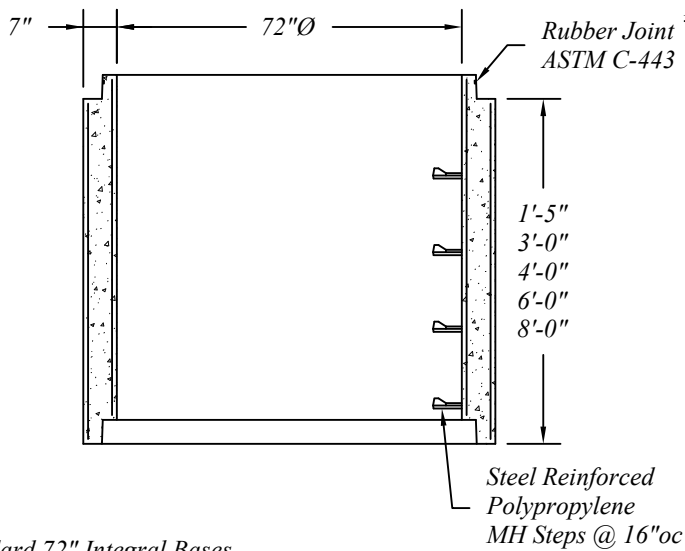
Standard 72" Sanitary Manhole Reducer



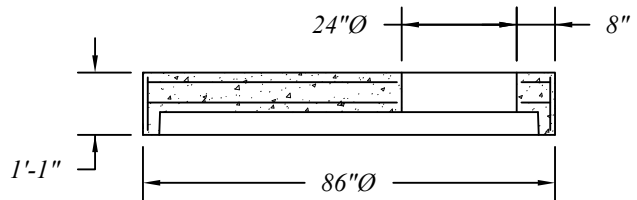
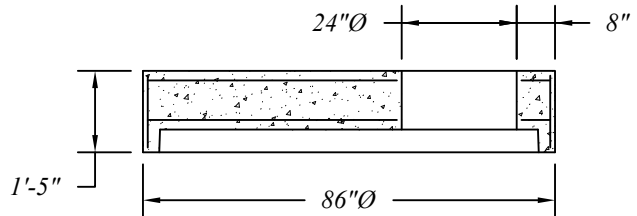
72" Sanitary Manhole Flat Reducers



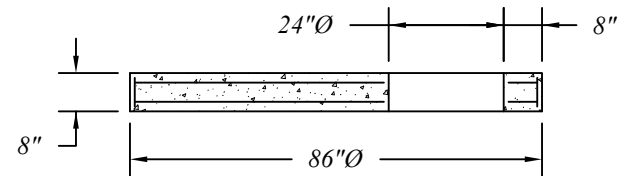
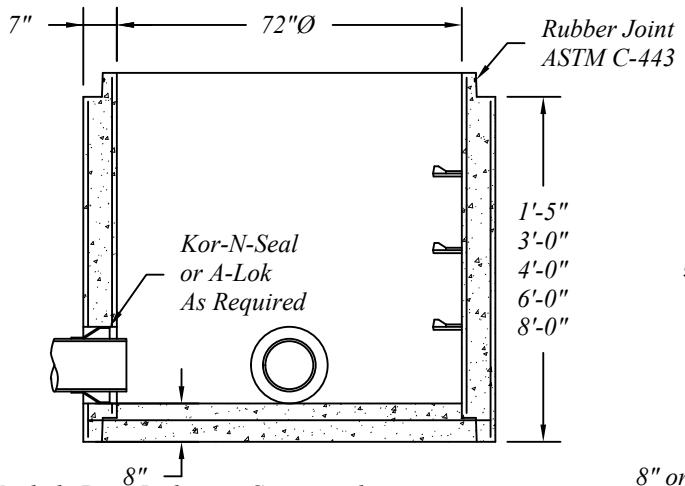
Standard 72" Sanitary Manhole Risers



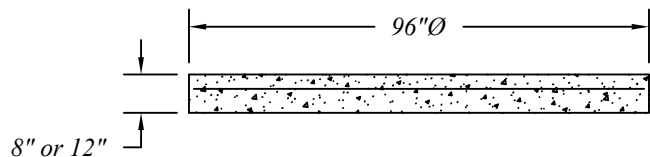
72" Sanitary Manhole Flat Covers For Fill Less Than 3.5' Over Pipe



Standard 72" Integral Bases



Standard Separate Bases



72" Manhole Pipe, Reducers, Covers and Bases Are Manufactured To ASTM C-478 Specifications.

Flat Covers Are Available With Optional Bolt Down Casting Assembly. See 48" Sanitary Manhole Detail.

Reinforcing Shown For Schematic Only.

| Standard 72"Ø Precast Concrete Sanitary Manhole Sections | | | |
|--|--|---------------------------------------|----------------|
| | 401 Kelton St Bay City, MI 48706 | | Date 12 May 16 |
| | 5281 Lansing Rd Charlotte, MI 48813 | 2701 Chicago Dr SW Wyoming, MI 49519 | Drawn By BmG |
| | 4950 White Lake Rd Clarkston, MI 48346 | 3756 Centennial Rd Sylvania, OH 43560 | Scale NTS |
| | | | 02.11 |