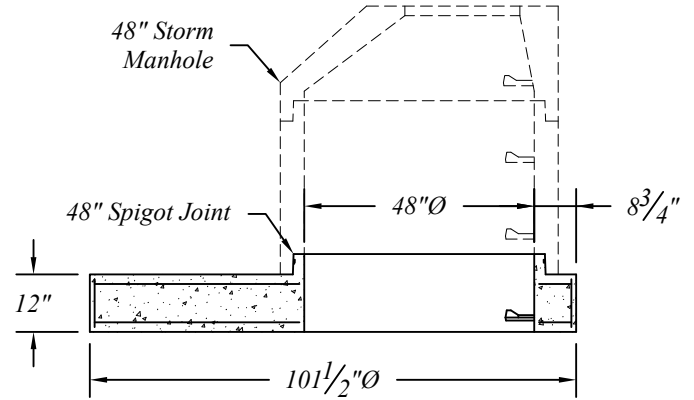
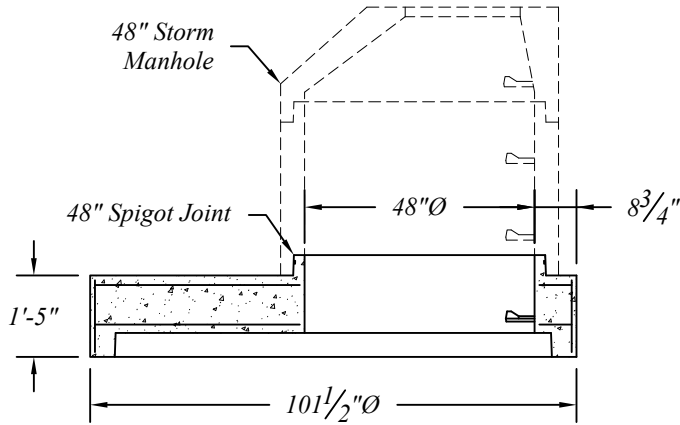
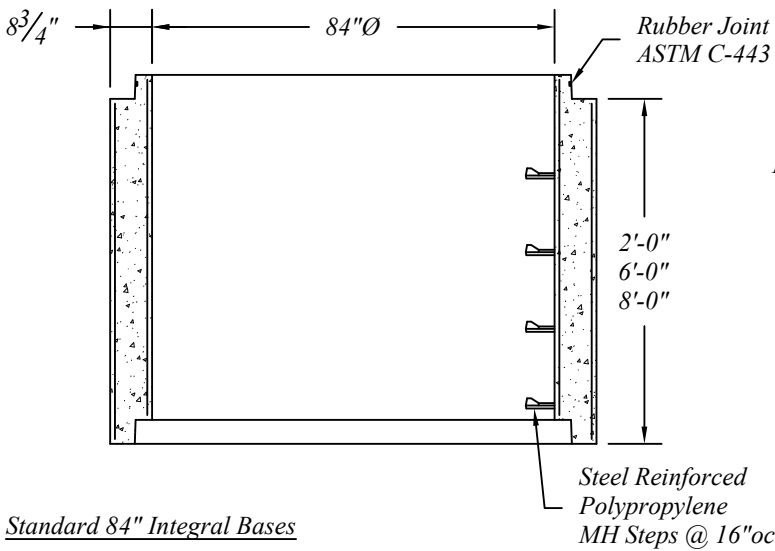


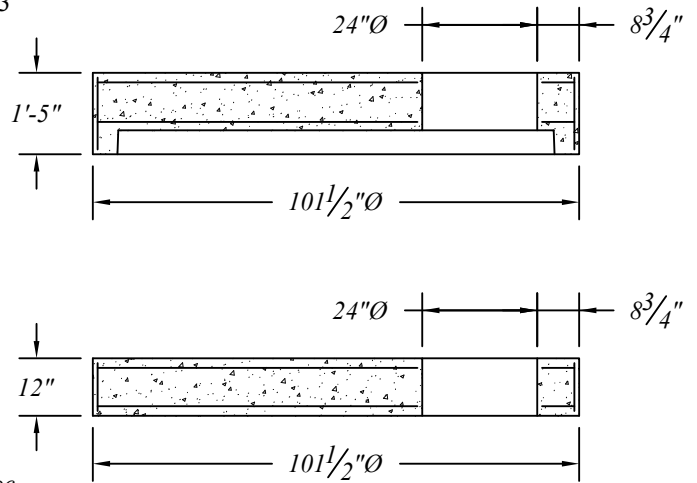
Standard 84" Storm Catch Basin Reducers



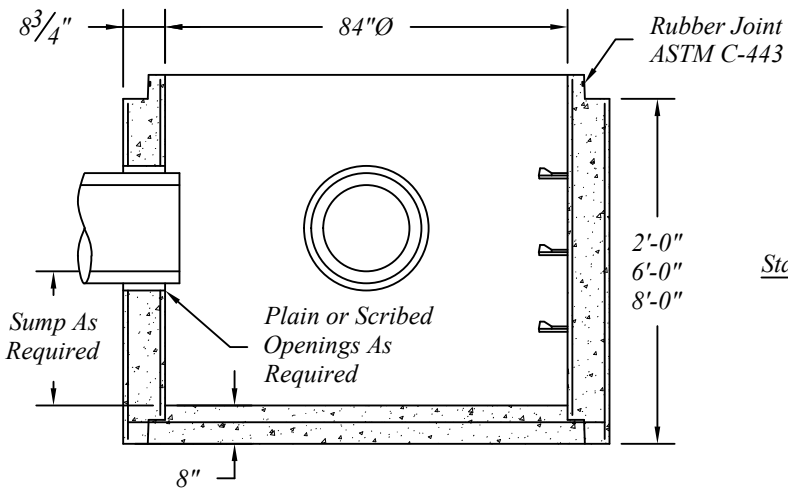
Standard 84" Storm Catch Basin Risers



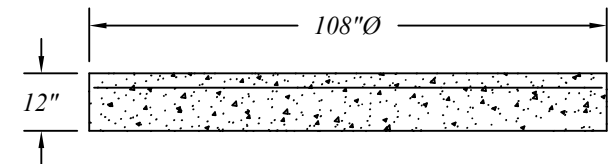
84" Storm Catch Basin Flat Covers
For Fill Less Than 3.5' Over Pipe



Standard 84" Integral Bases



Standard Separate Bases



84" Catch Basin Pipe, Reducers, Covers and Bases Are Manufactured To ASTM C-478 Specifications.

Reinforcing Shown For Schematic Only.

Standard 84"Ø Precast Concrete Storm Catch Basin Sections



401 Kelton St Bay City, MI 48706		Date 12 May 16
5281 Lansing Rd Charlotte, MI 48813	2701 Chicago Dr SW Wyoming, MI 49519	Drawn By BmG
4950 White Lake Rd Clarkston, MI 48346		Scale NTS
3756 Centennial Rd Sylvania, OH 43560		02.13