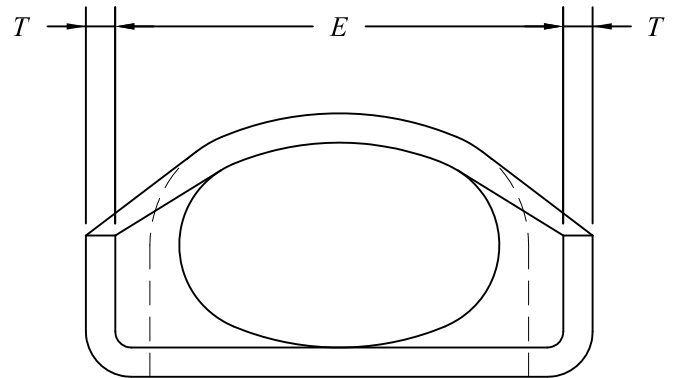
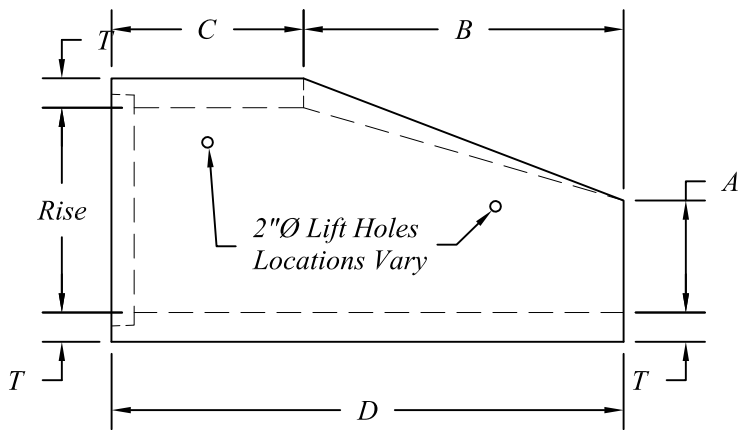
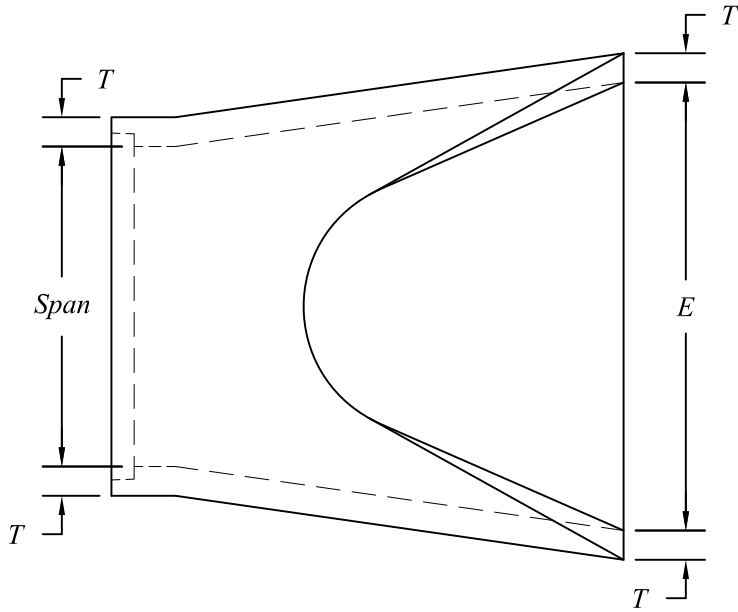


Precast Concrete Elliptical Flared End Sections To Be Manufactured To ASTM C-507-II and AASHTO M-207 Specifications.

All Elliptical Flared End Sections Except 54" & 60" Equivalents Are Manufactured w/Flat Bottoms.

Female Flared Ends Have a Bell Joint And Are Typically Installed At The Downstream End. (Outlet)

Male Flared Ends Have a Spigot Joint And Are Typically Installed At The Upstream End. (Inlet)



Equal Round	Rise	Span	T	A	B	C	D	E	Slope	Approx. Weight
18"	14"	23"	2 ³ / ₄ "	7 ¹ / ₄ "	32"	40"	72"	36"	3.4 to 1	1,600
24"	19"	30"	3 ¹ / ₄ "	8 ¹ / ₂ "	39"	33"	72"	48"	2.8 to 1	2,300
30"	24"	38"	3 ³ / ₄ "	9 ¹ / ₂ "	54"	18"	72"	60"	3 to 1	3,500
36"	29"	45"	4 ¹ / ₂ "	11"	60"	24"	84"	72"	2.7 to 1	3,950
42"	34"	53"	5"	15 ³ / ₄ "	60"	36"	96"	78"	2.6 to 1	5,600
48"	38"	60"	5 ¹ / ₂ "	21"	60"	36"	96"	84"	2.7 to 1	6,840
54"(T)	43"	68"	6"	26"	60"	36"	96"	90"	2.6 to 1	9,410
54"(G)	43"	68"	6"	26"	60"	40 ¹ / ₂ "	100 ¹ / ₂ "	90"	2.6 to 1	9,410
60"(T)	48"	76"	6 ¹ / ₂ "	30"	60"	36"	96"	96"	2.4 to 1	11,800
60"(G)	48"	76"	6 ¹ / ₂ "	30"	60"	41"	101"	96"	2.4 to 1	11,800
66"	53"	83"	7"	33"	58"	38"	96"	102"	2.1 to 1	15,000
72"	58"	91"	7 ¹ / ₂ "	36"	63"	33"	96"	102"	2.1 to 1	18,000

NORTHERN CONCRETE PIPE



401 Kelton St Bay City, MI 48706

5281 Lansing Rd
Charlotte, MI 48813

4950 White Lake Rd
Clarkston, MI 48346

2701 Chicago Dr SW
Wyoming, MI 49519

3756 Centennial Rd
Sylvania, OH 43560

18" to 72" Precast Elliptical Flared End Sections

Date
17 Mar 20

Revised

Rev. No.

Drawn By
BmG

Scale
NTS

01.12