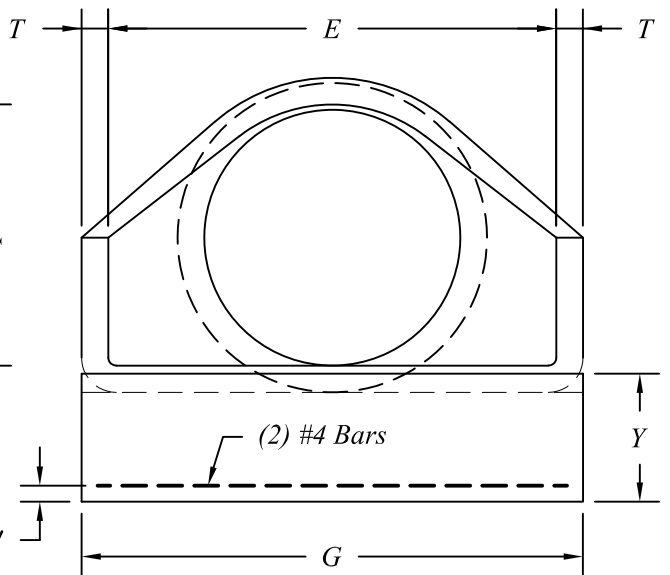


Precast Concrete Flared End Sections Are Manufactured To ASTM C-76-II Specifications.

84", 90" and 96" Flared End Sections Are Available By Special Order.

Female Flared Ends Have a Bell Joint And Are Typically Installed At The Downstream End. (Outlet)

Male Flared Ends Have a Spigot Joint And Are Typically Installed At The Upstream End. (Inlet)



Dia.	T	A	B	C	D	E	F	G	MDOT		OTIC		WRC		Slope	Weight
									X	Y	X	Y	X	Y		
12"	4 <sup>5</sup> / <sub>8</sub> "	4"	24"	51 <sup>1</sup> / <sub>2</sub> "	75 <sup>1</sup> / <sub>2</sub> "	24"	13"	28"	12"	18"	12"	28"	12"	42"	1.7 to 1	1,650
15"	4 <sup>1</sup> / <sub>16</sub> "	6"	27"	48"	75"	30"	16"	34 <sup>1</sup> / <sub>2</sub> "	12"	18"	12"	28"	12"	42"	1.8 to 1	1,850
18"	4 <sup>1</sup> / <sub>2</sub> "	9"	27"	46"	73"	36"	19"	41"	12"	18"	12"	28"	12"	42"	1.8 to 1	2,050
24"	4 <sup>1</sup> / <sub>2</sub> "	9 <sup>1</sup> / <sub>2</sub> "	43 <sup>1</sup> / <sub>2</sub> "	30"	73 <sup>1</sup> / <sub>2</sub> "	48"	25"	54"	12"	18"	12"	28"	12"	42"	1.3 to 1	2,450
30"	3 <sup>1</sup> / <sub>2</sub> "	14"	53"	19"	72"	60"	31"	67"	12"	18"	12"	28"	12"	42"	2.6 to 1	3,040
36"	4"	17"	61 <sup>1</sup> / <sub>2</sub> "	34 <sup>1</sup> / <sub>2</sub> "	96"	72"	37"	80"	12"	18"	12"	28"	12"	42"	2.6 to 1	5,800
42"	4 <sup>1</sup> / <sub>2</sub> "	22"	63 <sup>1</sup> / <sub>2</sub> "	32 <sup>1</sup> / <sub>2</sub> "	96"	78"	43"	87"	12"	24"	12"	28"	12"	42"	2.5 to 1	5,600
48"	5"	24"	72 <sup>1</sup> / <sub>2</sub> "	23 <sup>1</sup> / <sub>2</sub> "	96"	84"	49"	94"	12"	24"	12"	28"	12"	42"	2.5 to 1	7,400
54"	5 <sup>1</sup> / <sub>2</sub> "	27"	63 <sup>1</sup> / <sub>2</sub> "	32 <sup>1</sup> / <sub>2</sub> "	96"	90"	55"	101"	12"	24"	12"	28"	12"	42"	2.3 to 1	8,880
60"	6"	32 <sup>1</sup> / <sub>2</sub> "	58"	38"	96"	96"	61"	108"	12"	24"	12"	30"	12"	42"	2.0 to 1	10,600
72"	7"	35"	74"	22"	96"	108"	73"	122"	12"	24"	12"	30"	12"	42"	1.9 to 1	14,500



401 Kelton St Bay City, MI 48706		12" to 72" Precast Concrete Round Flared End Sections			
5281 Lansing Rd Charlotte, MI 48813	2701 Chicago Dr SW Wyoming, MI 49519				
4950 White Lake Rd Clarkston, MI 48346	3756 Centennial Rd Sylvania, OH 43560	Date 14 Mar 18	Revised 07 Jun 22	Rev. No. 1	Drawn By BmG
				Scale NTS	01.11