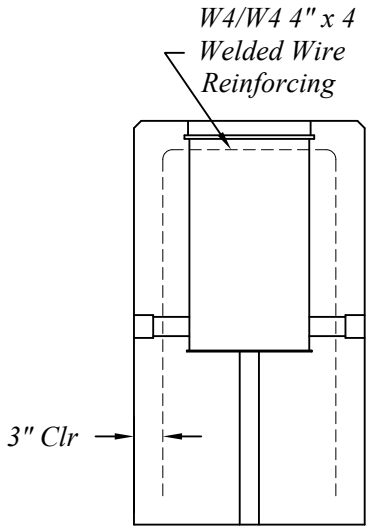
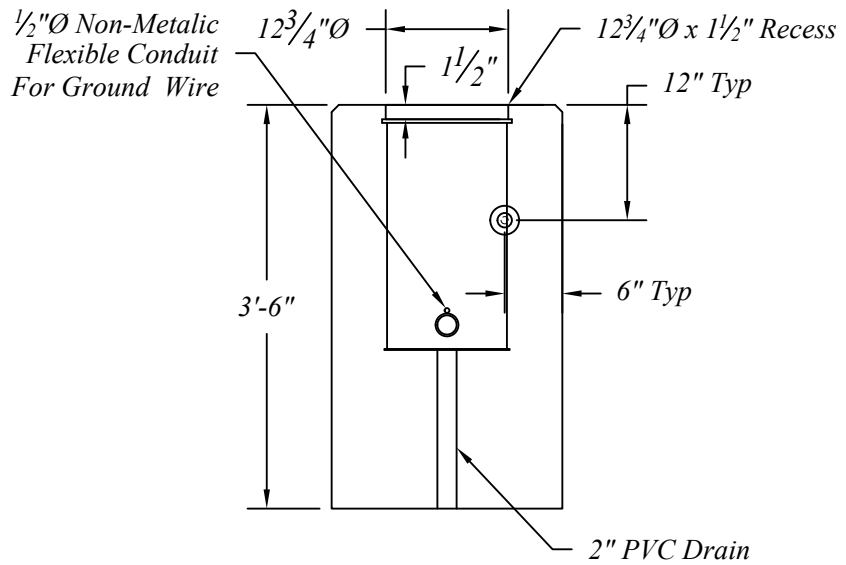
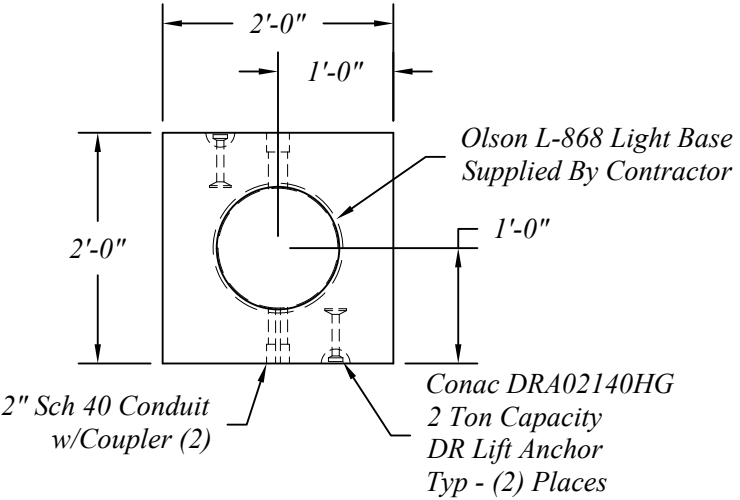
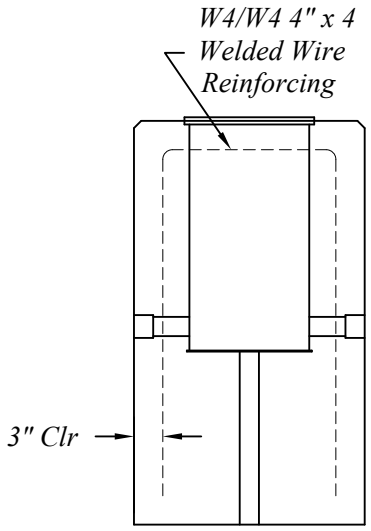
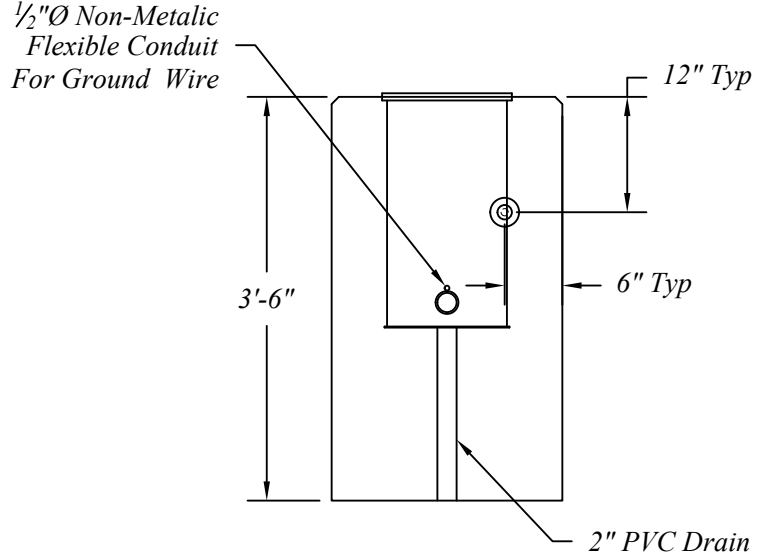
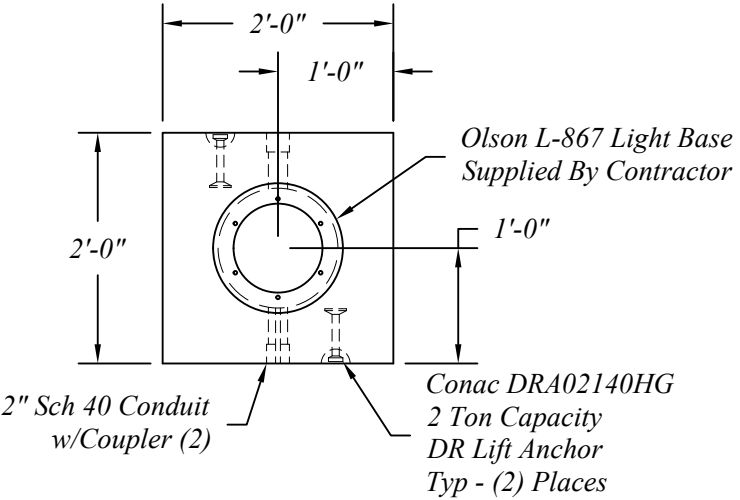


Foundation Will Weigh Approximately 1,865 Lbs.



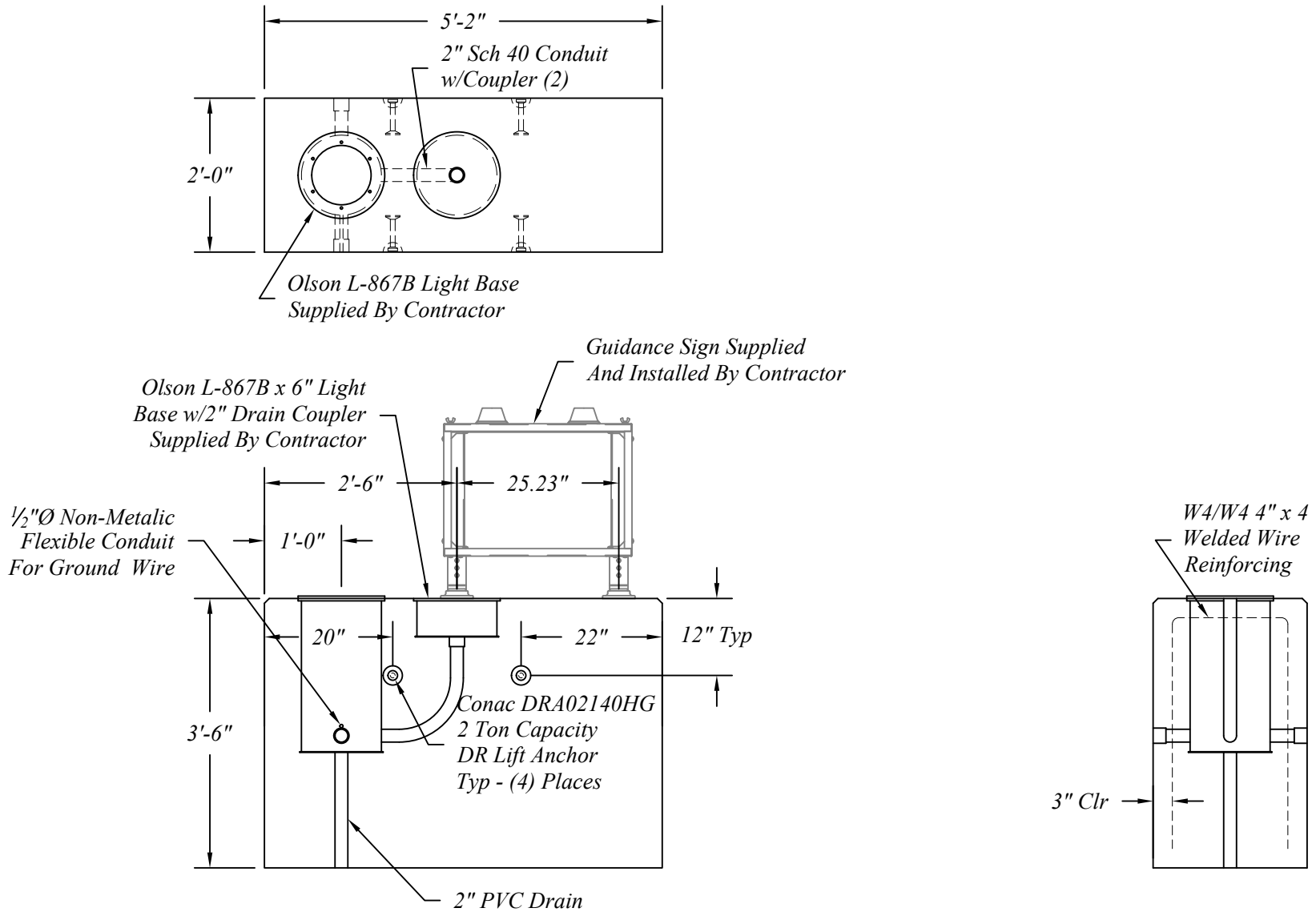
<i>Proposed - Precast Airport Bidirectional Light Foundation</i>			
	401 Kelton St Bay City, MI 48706		Date 30 Jun 15
	5281 Lansing Rd Charlotte, MI 48813	2701 Chicago Dr SW Wyoming, MI 49519	Drawn By BmG
	4950 White Lake Rd Clarkston, MI 48346	3756 Centennial Rd Sylvania, OH 43560	Scale NTS
			08.19h

Foundation Will Weigh Approximately 1,865 Lbs.



<i>Proposed - Precast Airport Runway Light Foundation</i>			
	401 Kelton St Bay City, MI 48706		Date 30 Jun 15
	5281 Lansing Rd Charlotte, MI 48813	2701 Chicago Dr SW Wyoming, MI 49519	Drawn By BmG
	4950 White Lake Rd Clarkston, MI 48346	3756 Centennial Rd Sylvania, OH 43560	Scale NTS
			08.19g

Foundation Will Weigh Approximately 5,190 Lbs.

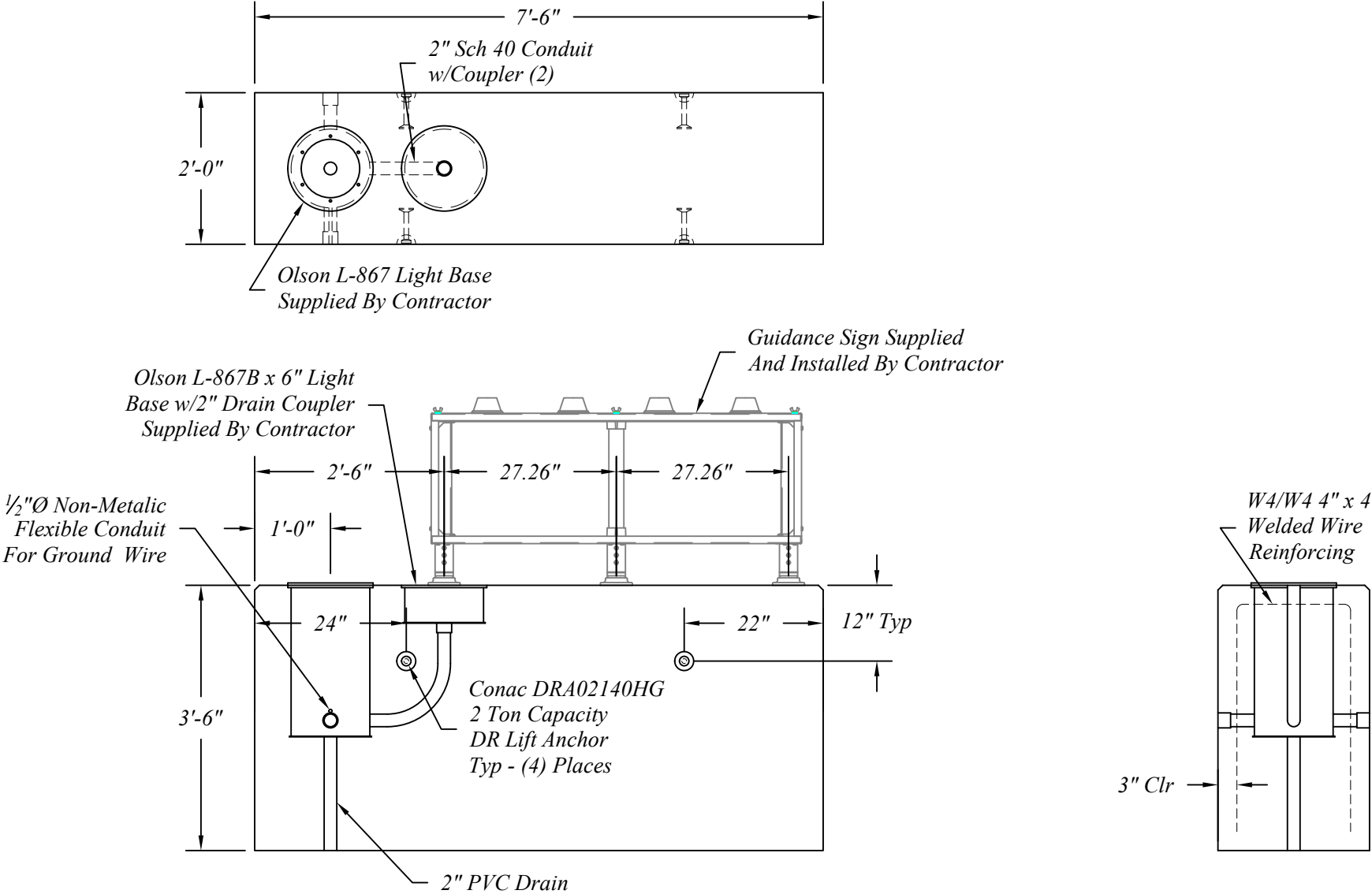


Size 1, 1 Module

Proposed - Precast Airport Guidance Sign Foundation

	401 Kelton St Bay City, MI 48706		Date 30 Jun 15
	5281 Lansing Rd Charlotte, MI 48813	2701 Chicago Dr SW Wyoming, MI 49519	Drawn By BmG
			Scale NTS
	4950 White Lake Rd Clarkston, MI 48346	3756 Centennial Rd Sylvania, OH 43560	08.19a

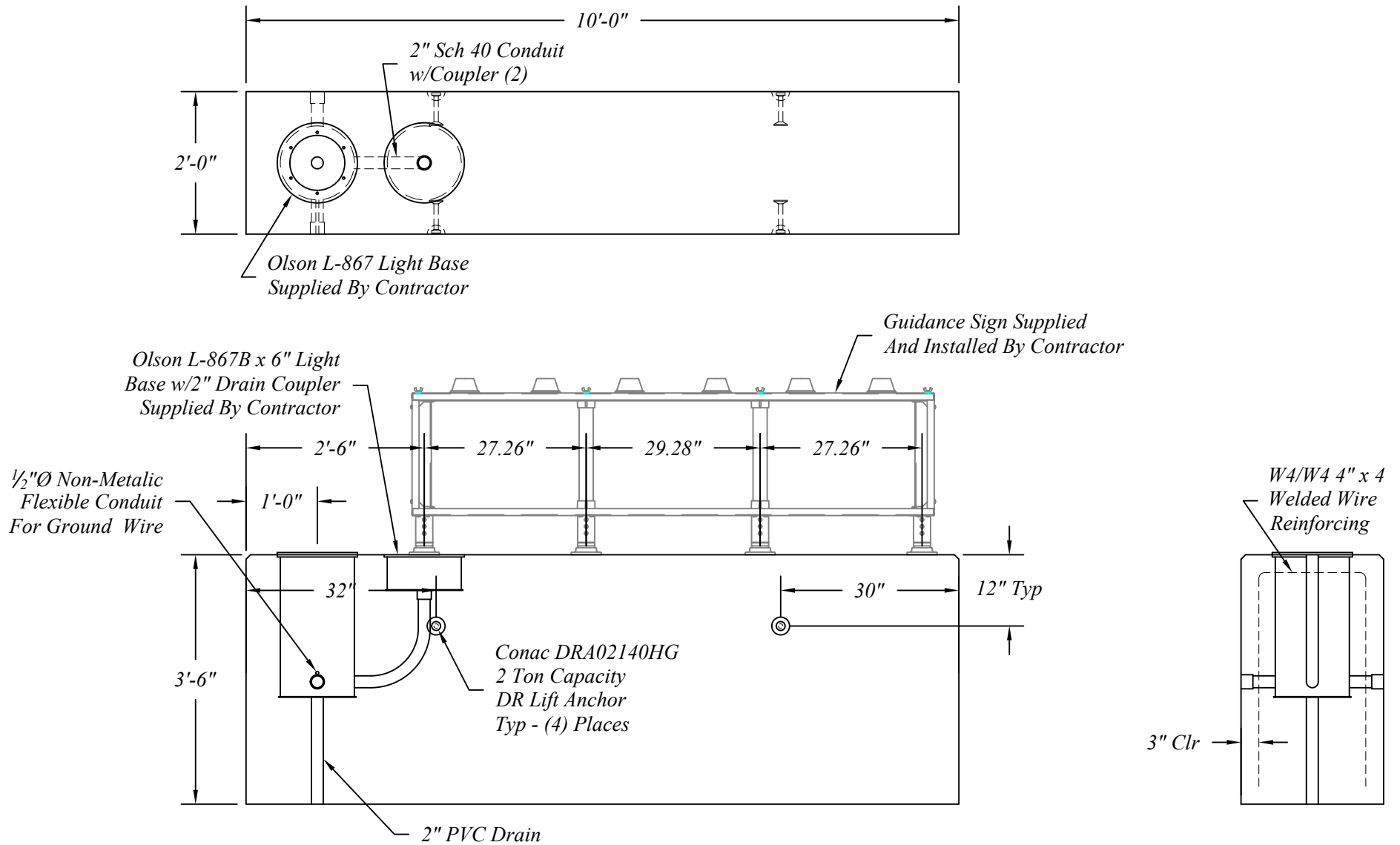
Foundation Will Weigh Approximately 7,640 Lbs.



Size 1, 2 Module

Proposed - Precast Airport Guidance Sign Foundation			
	401 Kelton St Bay City, MI 48706		Date 30 Jun 15
	5281 Lansing Rd Charlotte, MI 48813	2701 Chicago Dr SW Wyoming, MI 49519	Drawn By BmG
	4950 White Lake Rd Clarkston, MI 48346	3756 Centennial Rd Sylvania, OH 43560	Scale NTS
			08.19b

Foundation Will Weigh Approximately 10,265 Lbs.



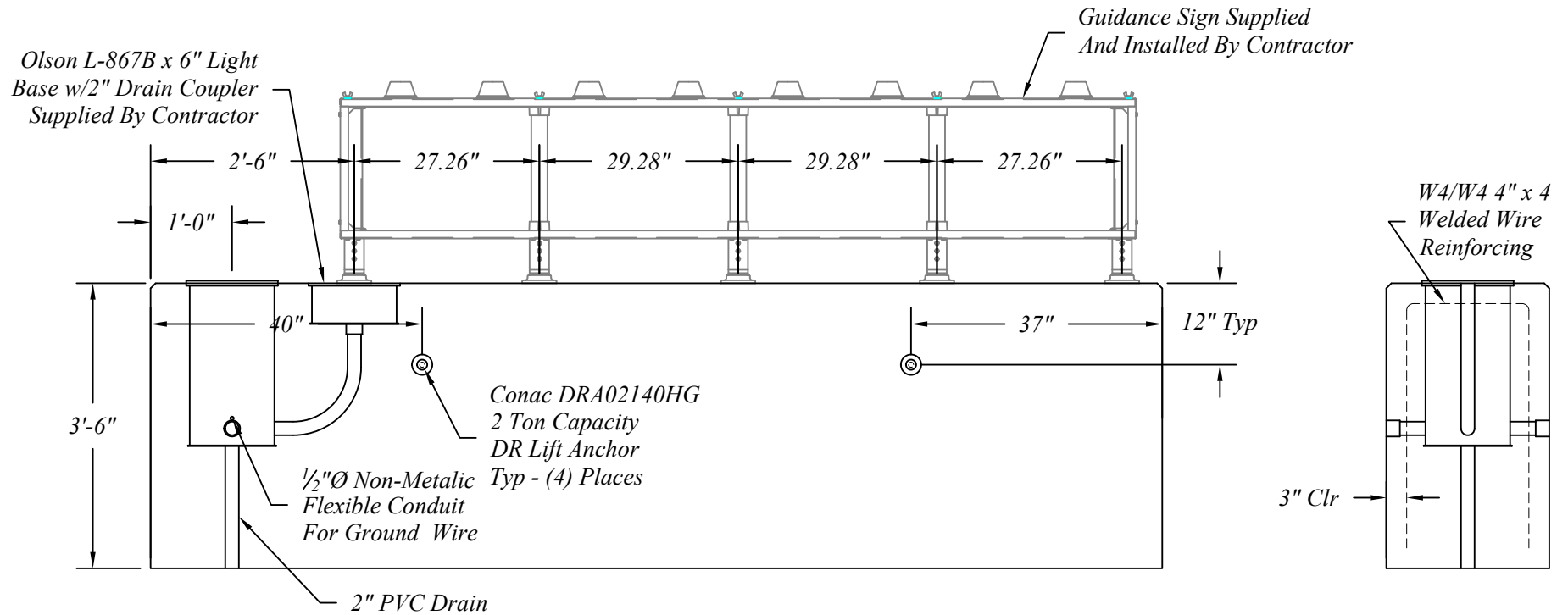
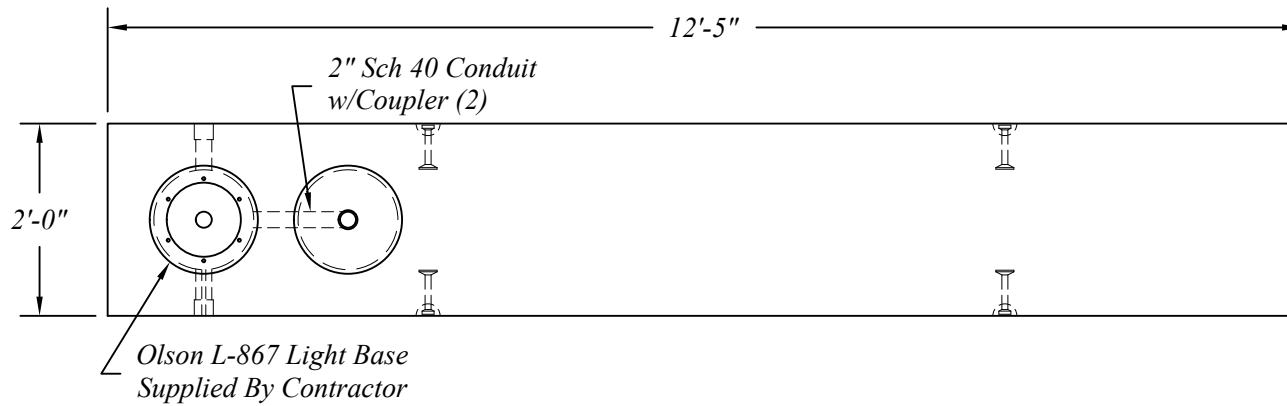
Size 1, 3 Module

Proposed - Precast Airport Guidance Sign Foundation



401 Kelton St Bay City, MI 48706		Date 30 Jun 15
5281 Lansing Rd Charlotte, MI 48813	2701 Chicago Dr SW Wyoming, MI 49519	Drawn By BmG
4950 White Lake Rd Clarkston, MI 48346		Scale NTS
3756 Centennial Rd Sylvania, OH 43560		08.19c

Foundation Will Weigh Approximately 12,800 Lbs.



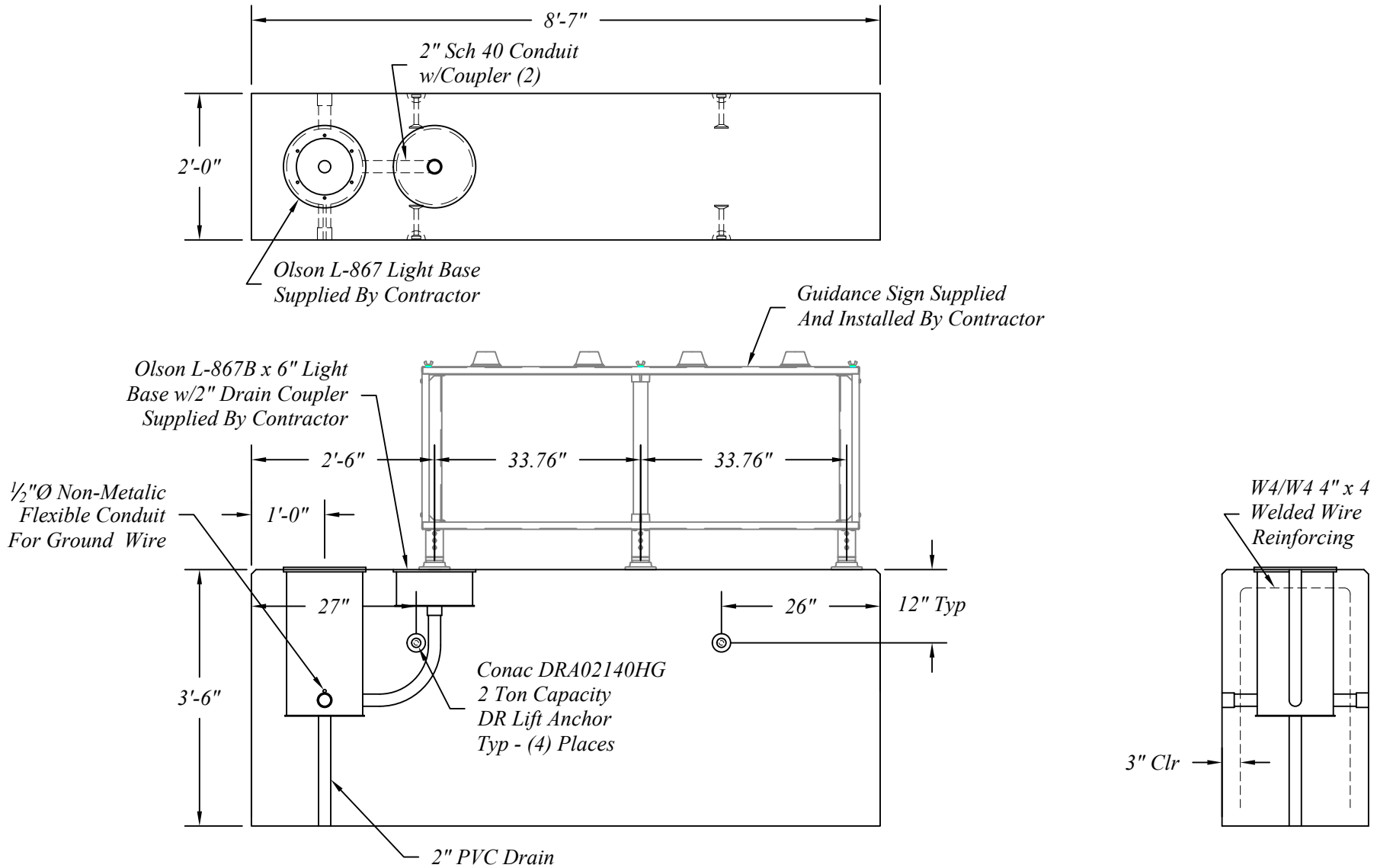
Size 1, 4 Module

Proposed - Precast Airport Guidance Sign Foundation



401 Kelton St Bay City, MI 48706		Date 30 Jun 15
5281 Lansing Rd Charlotte, MI 48813	2701 Chicago Dr SW Wyoming, MI 49519	Drawn By BmG
4950 White Lake Rd Clarkston, MI 48346		Scale NTS
3756 Centennial Rd Sylvania, OH 43560		08.19d

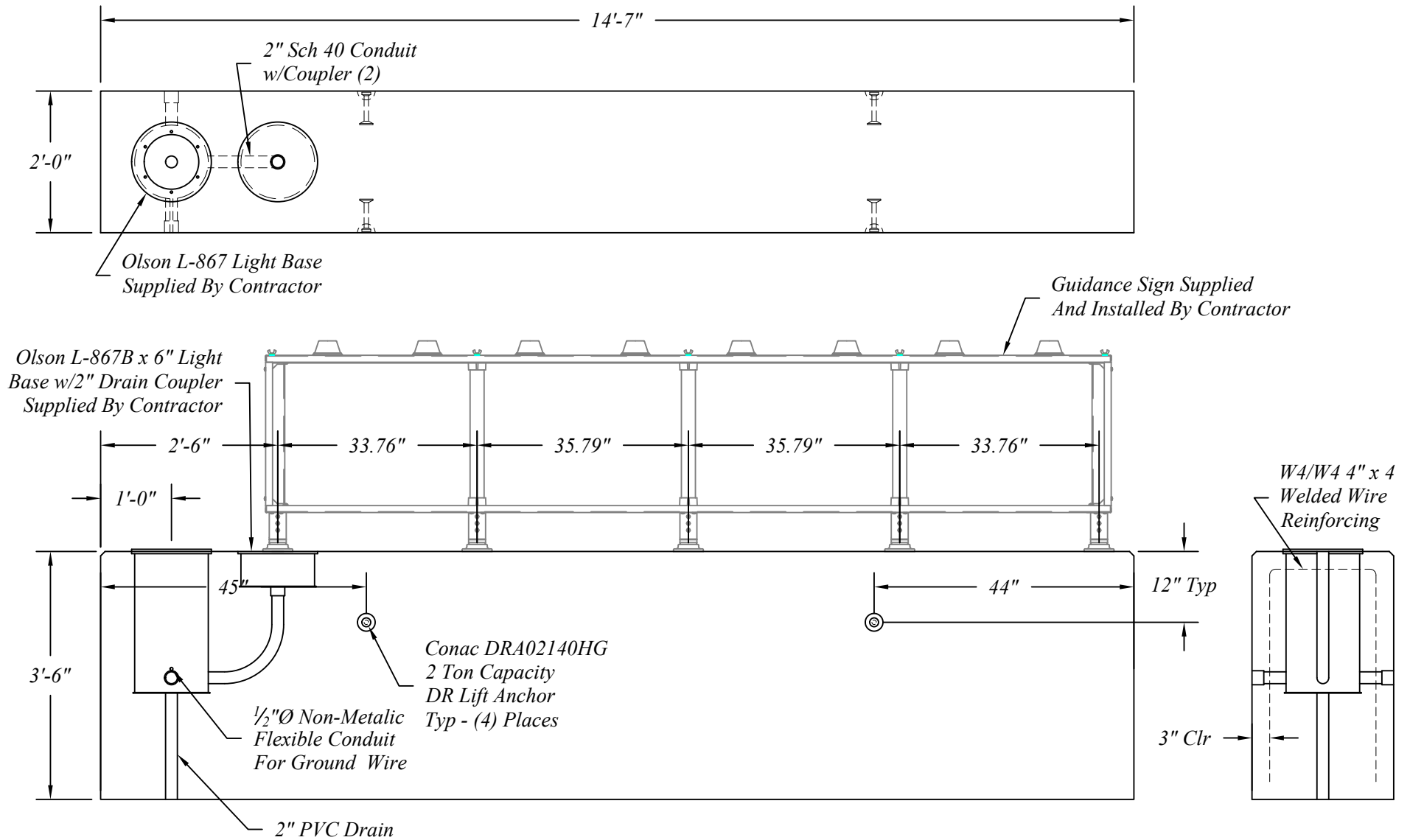
Foundation Will Weigh Approximately 8,775 Lbs.



Size 2, 2 Module

Proposed - Precast Airport Guidance Sign Foundation			
	401 Kelton St Bay City, MI 48706		Date 30 Jun 15
	5281 Lansing Rd Charlotte, MI 48813	2701 Chicago Dr SW Wyoming, MI 49519	Drawn By BmG
	4950 White Lake Rd Clarkston, MI 48346	3756 Centennial Rd Sylvania, OH 43560	Scale NTS
			08.19e

Foundation Will Weigh Approximately 15,075 Lbs.



Size 2, 4 Module

Proposed - Precast Airport Guidance Sign Foundation



401 Kelton St Bay City, MI 48706		Date 30 Jun 15
5281 Lansing Rd Charlotte, MI 48813	2701 Chicago Dr SW Wyoming, MI 49519	Drawn By BmG
4950 White Lake Rd Clarkston, MI 48346	3756 Centennial Rd Sylvania, OH 43560	Scale NTS
		08.19f