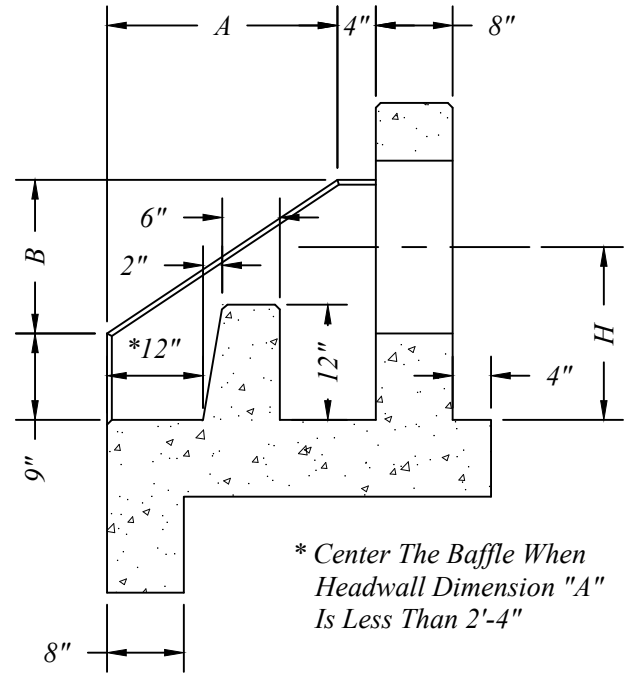
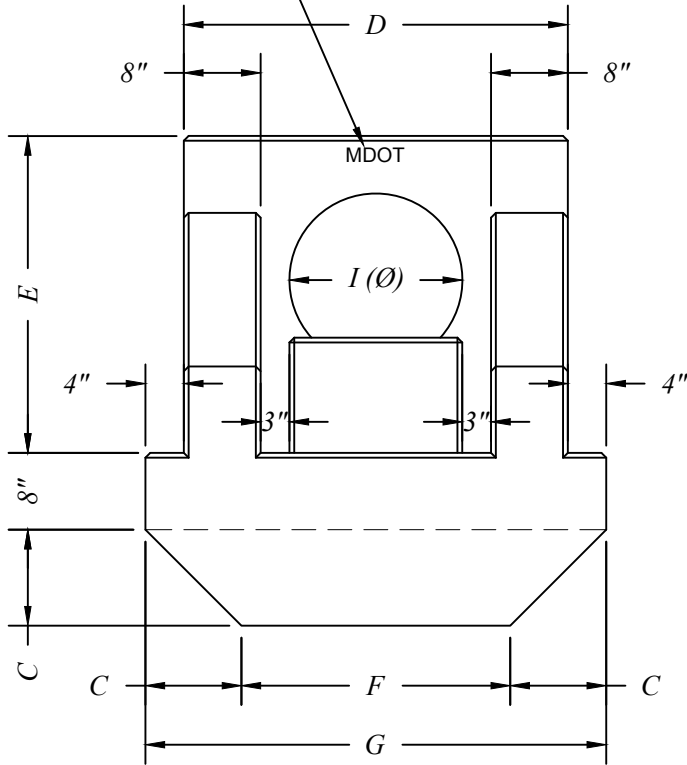


Outfall Label Inscribed Into Concrete
(1½" High x 1" Wide By ¼" Deep)



* Center The Baffle When Headwall Dimension "A" Is Less Than 2'-4"

Reinforcement Shall Be Grade 60 #4 Rebar or Equivalent WWF per MDOT Standard Detail R-85-D.

Contractor To Complete Connection Between Pipe and Outlet Headwall w/Mortar Meeting MDOT 2012 Standard Specification for Construction, Section 702.

Exposed Edges To Be Chamfered ½".

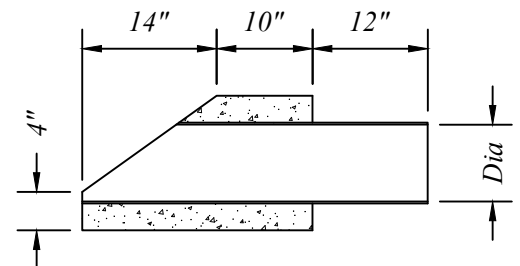
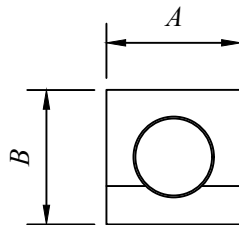
Outfall Label To Be Used Only Where Stormwater Will Discharge Directly To The Waters Of The State.

Outlet Headwall Dimensions

Dia	A	B	C	D	E	F	G	H	I (Ø)	Weight
12"	2'-0"	1'-4"	10"	3'-4"	2'-9"	2'-4"	4'-0"	1'-6"	20"	3,240
15"	2'-4"	1'-7"	11"	3'-7"	3'-0"	2'-5"	4'-3"	1'-7"	24"	3,760
18"	2'-9"	1'-10"	1'-0"	3'-10"	3'-3"	2'-6"	4'-6"	1'-9"	26"	4,600
24"	3'-6"	2'-4"	1'-1"	4'-4"	3'-9"	2'-10"	5'-0"	2'-0"	34"	5,940
30"	4'-3"	2'-10"	1'-4"	4'-10"	4'-3"	2'-10"	5'-6"	2'-3"	42"	7,380
36"	5'-0"	3'-4"	1'-4"	5'-4"	4'-9"	3'-4"	6'-0"	2'-6"	48"	9,520
42"	5'-0"	5'-9"	1'-4"	7'-6"	7'-2"	5'-6"	8'-2"	3'-5"	54"	15,900
48"	5'-0"	5'-9"	1'-4"	7'-6"	7'-2"	5'-6"	8'-2"	3'-5"	60"	15,900

Underdrain Outlet Dimensions

Dia	A	B	Weight
4"	12"	9"	140
6"	12"	11"	160
8"	14"	14"	250



NORTHERN CONCRETE PIPE



401 Kelton St Bay City, MI 48706

5281 Lansing Rd
Charlotte, MI 48813

4950 White Lake Rd
Clarkston, MI 48346

2701 Chicago Dr SW
Wyoming, MI 49519

3756 Centennial Rd
Sylvania, OH 43560

Precast Underdrain Outlets & Outlet Headwalls

Date 21st Nov., 2022

Revised

Rev. No.

Drawn By

Scale

BmG

NTS

01.13