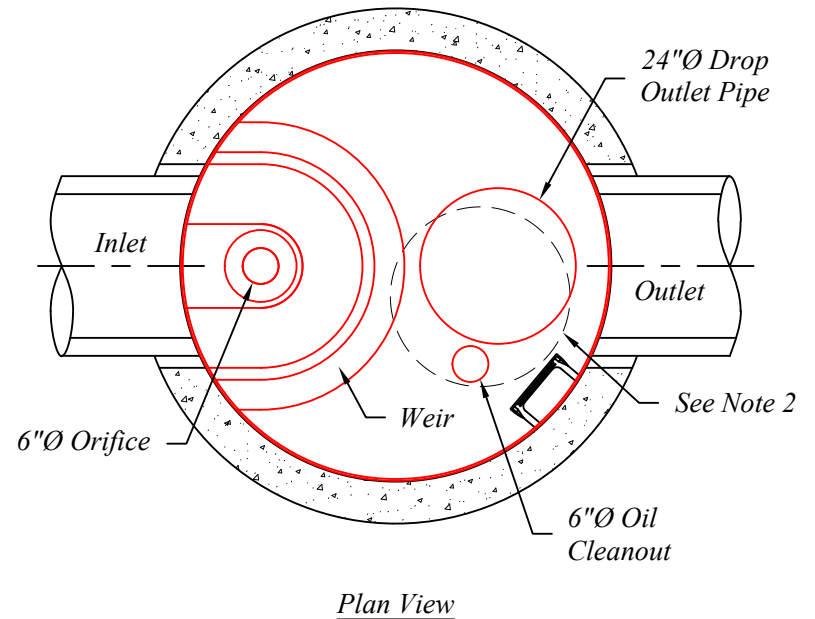


Section Thru Chamber



Notes:

1. Inlet & Outlet Connections To Be Grouted After Installation.
2. The Cover Should Be Positioned Over The Inlet Drop Pipe And The Vent Pipe.
3. The Stormceptor System Is Protected By One Or More Of The Following U.S. Patents: #4985148, #5498332, #5725760, #5753115, #5849181, #6068765, #6371690.
4. Contact Northern Concrete Pipe, Inc. For Further Details Not Listed On This Drawing.

Typical Precast Concrete Stormceptor® STC 1200



| | | |
|-------------------------------------------|-----------------------------------------|-----------------|
| 401 Kelton St Bay City, MI 48706 | | Date 18 Aug 15 |
| 5281 Lansing Rd Charlotte, MI 48813 | 2701 Chicago Dr SW Wyoming, MI 49519 | Drawn By BmG |
| 4950 White Lake Rd Clarkston, MI 48346 | | Scale NTS |
| 3756 Centennial Rd Sylvania, OH 43560 | | 09.03 |