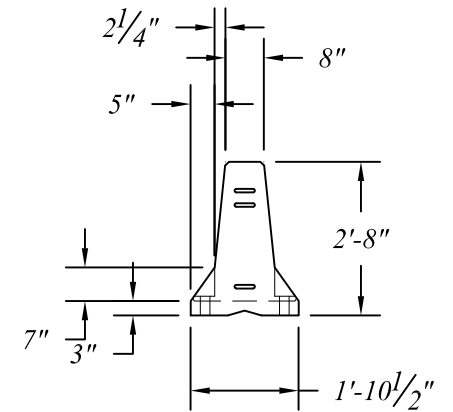
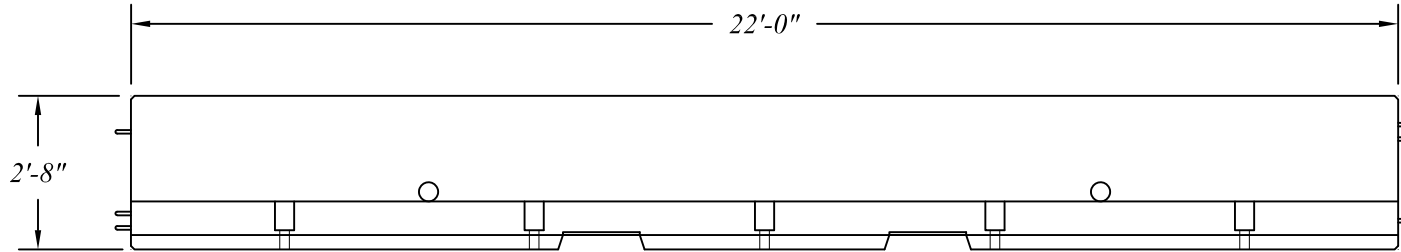


Anchor Pocket  
(Optional)  
Typ - (10) Places



22'-0" Precast Temporary Concrete Barrier - Modified MDOT Type L



401 Kelton St Bay City, MI 48706

Date  
17 May 23

5281 Lansing Rd  
Charlotte, MI 48813

2701 Chicago Dr SW  
Wyoming, MI 49519

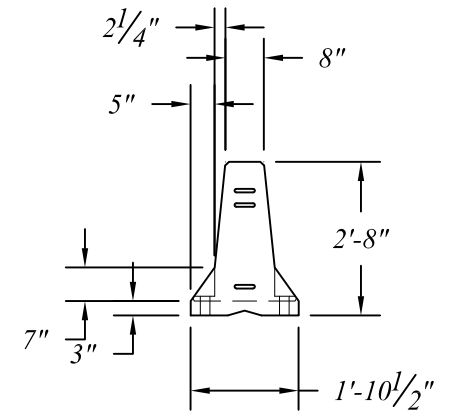
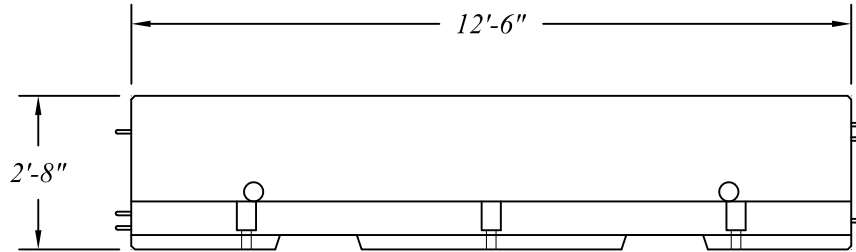
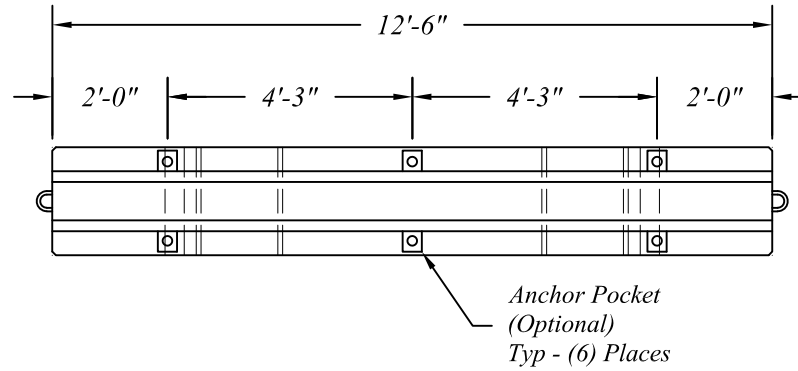
Drawn By  
BmG

4950 White Lake Rd  
Clarkston, MI 48346

3756 Centennial Rd  
Sylvania, OH 43560

Scale  
NTS

08.25a



12'-6" Precast Temporary Concrete Barrier - MDOT Type S



401 Kelton St Bay City, MI 48706

Date  
17 May 23

5281 Lansing Rd  
Charlotte, MI 48813

2701 Chicago Dr SW  
Wyoming, MI 49519

Drawn By  
BmG

4950 White Lake Rd  
Clarkston, MI 48346

3756 Centennial Rd  
Sylvania, OH 43560

Scale  
NTS

08.25b