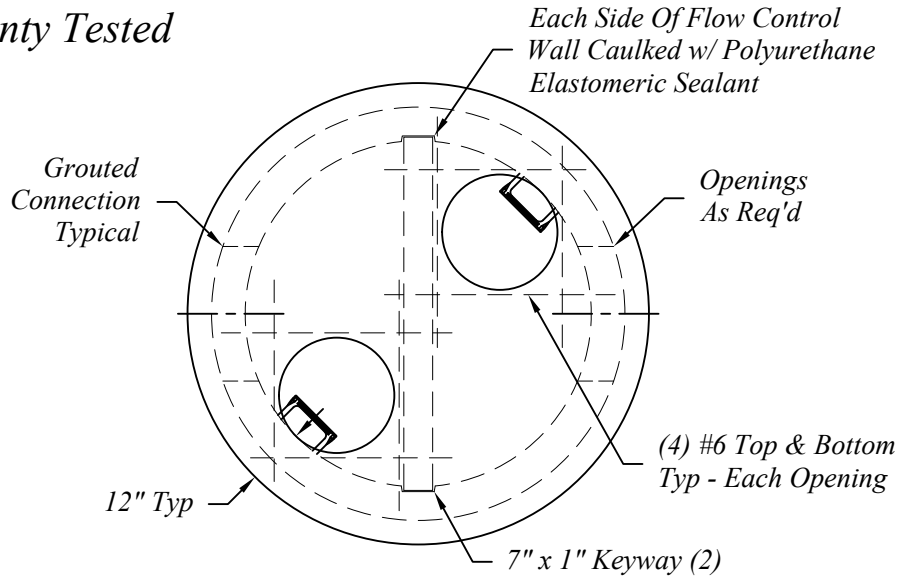


Wayne County Tested



Baffle Wall Will Stop at 10 Year Full Elevation If Storm Water Drains Into A Pond, River or County Drain.

Manhole Sections To Be Manufactured To ASTM C-478 Specifications w/HS-25 Loading And In Accordance With Northern Concrete Pipe, Inc. (800 222 9918).

Reinforcing Shown For Schematic Only. All Steel Areas Are Minimums.

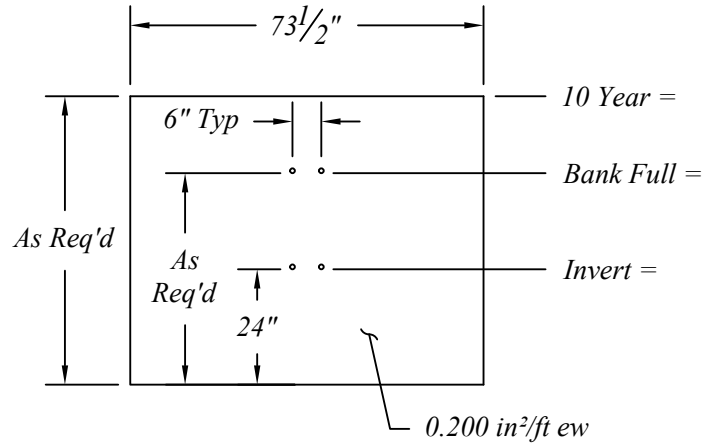
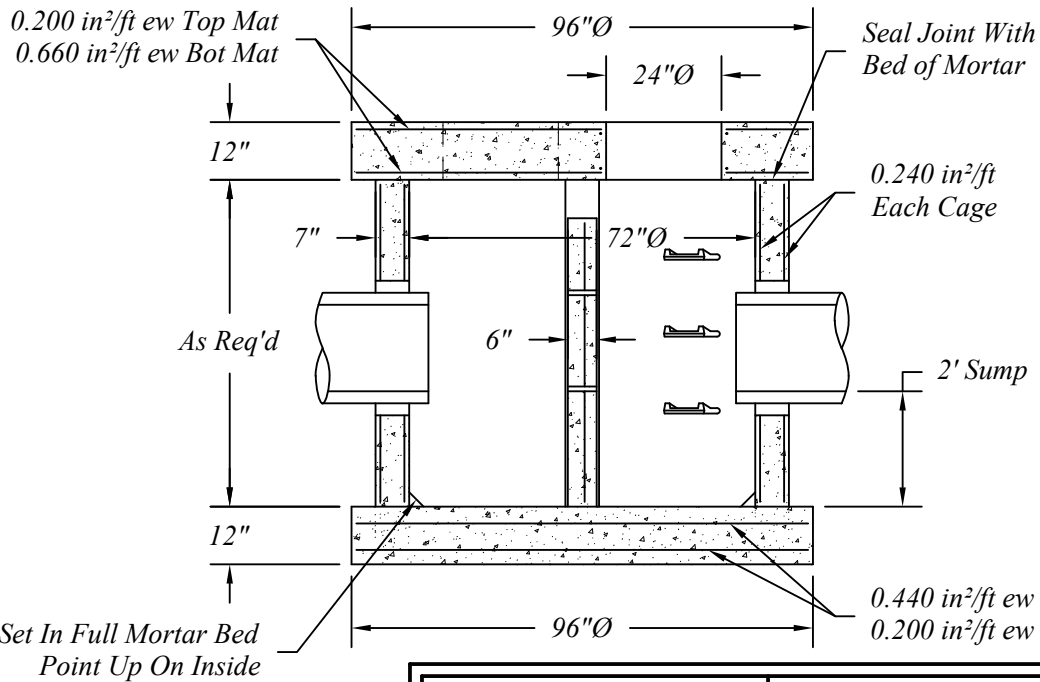
Contractor To Seal Between Precast Wall & Base w/Butyl Rope.

Inlet & Outlet Pipes Size Varies.

Maximum 2 - 24"Ø Pipes or Equivalent On The Same Plane.

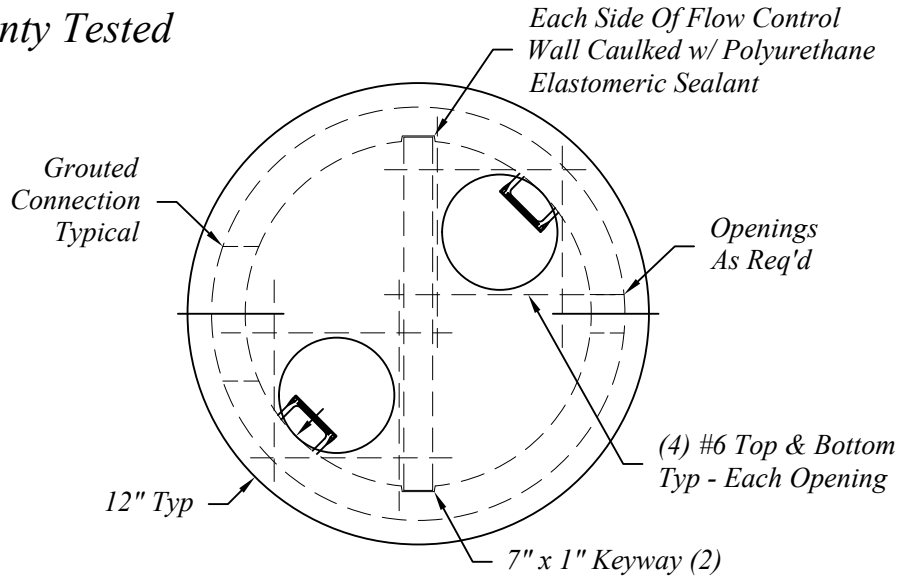
Number, Size and Elevation of Holes In The Flow Restrictor Wall Shall Be In Accordance With The Current Storm Water Management Program.

Work This Sheet With Applicable Notes On S-1.



	401 Kelton St Bay City, MI 48706		72"Ø Precast Outlet Control Structure w/Overflow				
	5281 Lansing Rd Charlotte, MI 48813	2701 Chicago Dr SW Wyoming, MI 49519					
	4950 White Lake Rd Clarkston, MI 48346	3756 Centennial Rd Sylvania, OH 43560	Date 15 May 15	Revised	Rev. No.	Drawn By BmG	Scale NTS

Wayne County Tested



Baffle Wall Will Extend To The Top If Storm Water Drains Into City Storm Sewer.

Manhole Sections To Be Manufactured To ASTM C-478 Specifications w/HS-25 Loading And In Accordance With Northern Concrete Pipe, Inc. (800 222 9918).

Reinforcing Shown For Schematic Only. All Steel Areas Are Minimums.

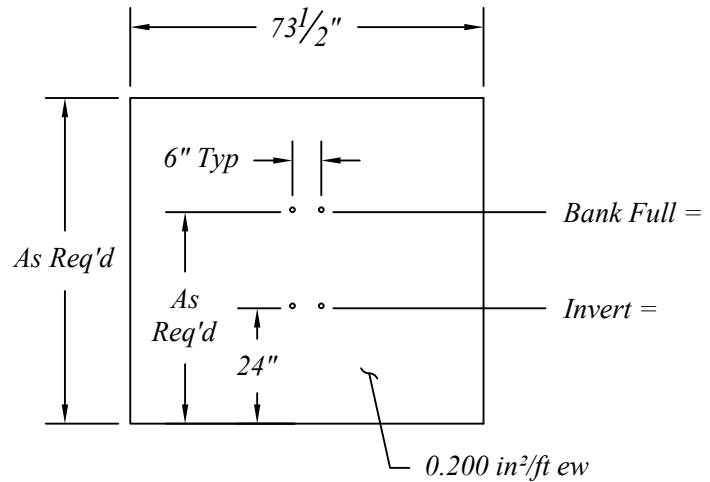
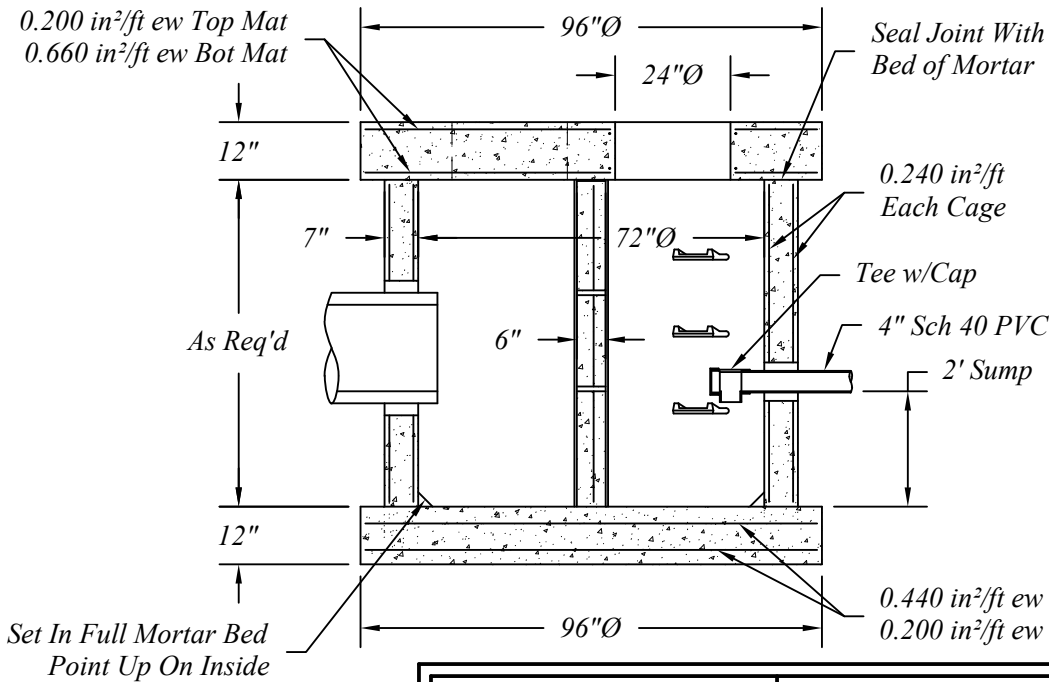
Contractor To Seal Between Precast Wall & Base w/Butyl Rope.

Inlet & Outlet Pipes Size Varies.

Maximum 2 - 24"Ø Pipes or Equivalent On The Same Plane.

Number, Size and Elevation of Holes In The Flow Restrictor Wall Shall Be In Accordance With The Current Storm Water Management Program.

Work This Sheet With Applicable Notes On S-1.



	401 Kelton St Bay City, MI 48706		72"Ø Precast Outlet Control Structure w/o Overflow			
	5281 Lansing Rd Charlotte, MI 48813	2701 Chicago Dr SW Wyoming, MI 49519				
	4950 White Lake Rd Clarkston, MI 48346	3756 Centennial Rd Sylvania, OH 43560	Date 15 May 15	Revised	Rev. No.	Drawn By BmG

07.07b